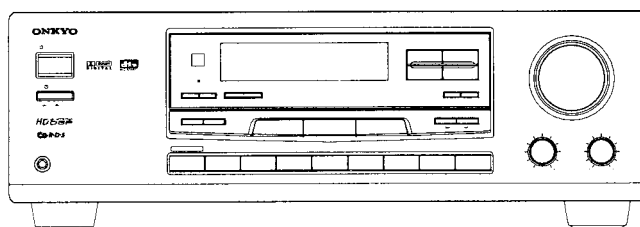


ONKYO® SERVICE MANUAL

AUDIO VIDEO CONTROL RECEIVER MODEL TX-DS474



Black, Silver, and Golden models

BMD	120V AC, 60Hz
BMP, BMPT, BMPA, SMP, GMPT	230-240V AC 50Hz
BMWT, BMWR, GMWT, GMWR	120/220V AC, 50/60Hz

Black and Golden models

BMPT, GMPT	230-240V AC 50Hz
BMWT, BMWR, GMWT, GMWR	120/220V AC, 50/60Hz

SAFETY-RELATED COMPONENT WARNING!!

COMPONENTS IDENTIFIED BY MARK Δ ON THE SCHEMATIC DIAGRAM AND IN THE PARTS LIST ARE CRITICAL FOR RISK OF FIRE AND ELECTRIC SHOCK. REPLACE THESE COMPONENTS WITH ONKYO PARTS WHOSE PARTS NUMBERS APPEAR AS SHOWN IN THIS MANUAL.

MAKE LEAKAGE-CURRENT OR RESISTANCE MEASUREMENTS TO DETERMINE THAT EXPOSED PARTS ARE ACCEPTABLY INSULATED FROM THE SUPPLY CIRCUIT BEFORE RETURNING THE APPLIANCE TO THE CUSTOMER.

TABLE OF CONTENTS

Specifications.....	2
Service procedures.....	3
Microprocessor connection diagram TX-DS474.....	4
Microprocessor terminal description TX-DS474.....	5
Panel view TX-DS474.....	8
Block diagram Tuner section.....	12
PC board-parts list TX-DS474.....	19
Adjustment procedures.....	24
IC block diagram.....	27
Wiring view TX-DS474.....	31
Block diagram Amp. section.....	35
Schematic diagram.....	39
Exploded view TX-DS474.....	61
Parts list TX-DS474.....	63
Packing view TX-DS474.....	69



SPECIFICATIONS

AMPLIFIER SECTION

Continuous Average Power
output (FTC)

All channels: 55 watts per channel min. RMS at 8 ohms, 2 channels driven from 20 Hz to 20 kHz with no more than 0.08% total harmonic distortion. 70 watts min. RMS at 6 ohms, 2 channels driven from 1 kHz with no more than 0.1% total harmonic distortion.

Continuous Power output (DIN) 75 watts × 5 at 6 ohms
Maximum Power output (EIAJ) 100 watts × 5 at 6 ohms
Total Harmonic Distortion: 0.08% at rated power (Front)
IM Distortion: 0.08% at rated power (Front)
Damping Factor: 60 at 8 ohms (Front)

Input Sensitivity and Impedance

PHONO: 2.5 mV, 50 kohms
LINE (CD, TAPE, DVD, VIDEO-1, 2): 200 mV, 50 kohms
MULTICHANNEL INPUT (FRONT L/R, SURROUND L/R, CENTER): 200 mV, 50 kohms
(SUBWOOFER): 36 mV, 50 kohms
DIGITAL-2 (COAXIAL): 0.5 Vp-p, 75 ohms
VIDEO IN (DVD, VIDEO-1, 2): 1 Vp-p, 75 ohms

Output Level and Impedance

Rec out (TAPE, VIDEO-2): 200 mV, 2.2 kohms
Pre out (SUBWOOFER): 1 V, 2.2 kohms
VIDEO OUT (VIDEO-2, MONITOR): 1 Vp-p, 75 ohms

Phono Overload: 110 mV RMS at 1 kHz, 0.5% T.H.D.

Frequency Response: 20 Hz to 30 kHz, ±1 dB
RIAA Deviation: 20 Hz to 20 kHz, ±0.8 dB

Tone Control

Bass: ±10 dB at 100 Hz
Treble: ±10 dB at 10 kHz

Signal-to-Noise Ratio

Phono: 80 dB (IHF A, 5 mV input)
CD/Tape: 100 dB (IHF A)

VIDEO SECTION

Signal sensitivity and impedance: 1 Vp-p, 75 ohms (DVD, VIDEO-1, VIDEO-2 input, output)

TUNER SECTION

FM

Tuning Range: 87.5 — 108.0 MHz
Usable Sensitivity
Mono: 11.2 dBf, 1.0 μV (75 ohms)
Stereo: 18.2 dBf, 2.2 μV (75 ohms)
50 dB Quietening Sensitivity
Mono: 18.2 dBf, 2.2 μV (75 ohms)
Stereo: 39.2 dBf, 24 μV (75 ohms)
Capture Ratio: 1.5 dB
Image Rejection Ratio
U.S.A. & Canadian models: 40 dB
Other area models: 85 dB

IF Rejection Ratio: 90 dB
Signal-to-Noise Ratio
Mono: 73 dB
Stereo: 67 dB
Alternate Channel Attenuation: 55 dB
Selectivity: 50 dB (DIN)
AM Suppression Ratio: 50 dB
Total Harmonic Distortion
Mono: 0.15%
Stereo: 0.25%
Frequency Response: 30 Hz — 15 kHz, ±1.5 dB
Stereo Separation: 45 dB at 1 kHz
30 dB at 100 Hz — 10 kHz

AM

Tuning Range

U.S.A. & Canadian models: 530—1,710 kHz (10 kHz steps)
European & Australian models: 522—1,611 kHz (9 kHz steps)
Worldwide models: 531—1,602 kHz (9 kHz steps), 530—1,710 kHz (10 kHz steps)

Usable Sensitivity: 30 μV
Image Rejection Ratio: 40 dB
IF Rejection Ratio: 40 dB
Signal-to-Noise Ratio: 40 dB
Total Harmonic Distortion: 0.7%

GENERAL

Power Supply: AC 120 V, 60 Hz
AC 230 V, 50 Hz
AC 220-230 V and 120 V switchable, 50/60 Hz
Power Consumption: 3.3 A
240 W
Dimensions (W × H × D): 435 × 150 × 324 mm
17-1/8" × 5-7/8" × 12-3/4"
Weight: 9.5 kg, 20.9 lbs.
10.7 kg, 23.6 lbs.

REMOTE CONTROL


Transmitter: Infrared
Signal range: Approx. 5 meters, 16 ft.
Power supply: Two "AA" batteries (1.5 V × 2)


Specifications and features are subject to change without notice.




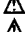
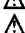

Power supply and voltage vary depending on the area in which the unit is purchased.

SERVICE PROCEDURES

1. Replacing the fuses

 This symbol located near the fuse indicates that the fuse used is fast operating type. For continued protection against fire hazard, replace with same type fuse. For fuse rating refer to the marking adjacent to the symbol.

 Ce symbole indique que le fusible utilise est a rapide. Pour une protection permanente, n'utiliser que des fusibles de meme type. Ce dernier est indique la qu le present symbol est appose.

REF. NO.	PART NO.	DESCRIPTION
F911	252166	 6.3A-UL/T-237,Fuse <D>
	252198	 8A-UL, Fuse <W>
F922	252077 or	 4A-SE-EAK or
	252243	 4A-SE-EAK,Fuse <P/W/T/A>
F933	252075 or	 2.5A-SE-EAK or
	252241	 2.5A-SE-EAK, Fuse <P/T>

NOTE: <D>: 120V model only
 <P>: European model only
 <W>: Worldwide model only
 <T>: Asian model only
 <A>: Australian model only

2. To Initialize the unit

This device employs a microprocessor to perform various functions and operations. If interference generated by an external power supply, radio wave, or other electrical source results in accident which causes the specified operations and functions to operate abnormally.

To perform a result, please follow the procedure below.

1. Press and hold down VIDEO 1 button, then press SPEAKER A button.

2. After "clear" is displayed, the prest memory and each mode stored in the memory, such as surround, are initialized and will return to the factory settings.

3. Safety-check out

(Only U.S.A. model)

After correcting the original service problem, perform the following safety check before releasing the set to the customer. Connect the insulating-resistance tester between the plug of power supply cord and the screw on the back panel.

Specifications: 3.3 Mohm±10% at 500V.

4. Change of voltage

Worldwide models are equipment with a voltage selector to conform with local power supplies. This switch is located on the back panel.

Be sure to set this switch to match the voltage of the power supply in your area before turning the power switch on.

This switch is set to 220V at the factory. Voltage is changed by sliding the groove in the switch with the screwdriver to the right or left. Confirm that the switch has been moved all the way to the right or left before turning the power switch on.

VOLTAGE
SELECTOR



5. Memory preservation

This unit does not require memory preservation batteries.

A built-in memory power back-up system preserves contents of the memory during power failures and even when the unit is unplugged.

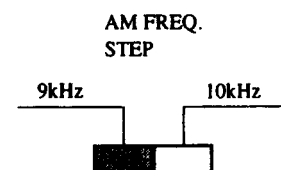
The unit must be plugged in and the power switch turned on and off once in order to charge the back-up system. Note that since this is not a permanent memory, the power switch must be turned on and off a few times each month the keep the back-up system operative.

The period of the time during which memory contents are preserved after power has last been turned off varies depending on climate and placement of the unit. On the average, memory contents are protected over a period of 3 to 4 weeks (a minimum of 2 weeks) after the last time power has been turned off. This period is shorted when the unit is exposed to very high humidity or used in an area with an extremely humid climate.

6. Setting the tuning step frequency

Worldwide models are equipped with a step band selector switch. This switch is located on the back panel. This switch is set to 9 kHz at the factory, but may have to be reset to 10 kHz depending on the area where the unit is used.

AM band step
 Europe: 9 kHz
 U.S.A.: 10 kHz

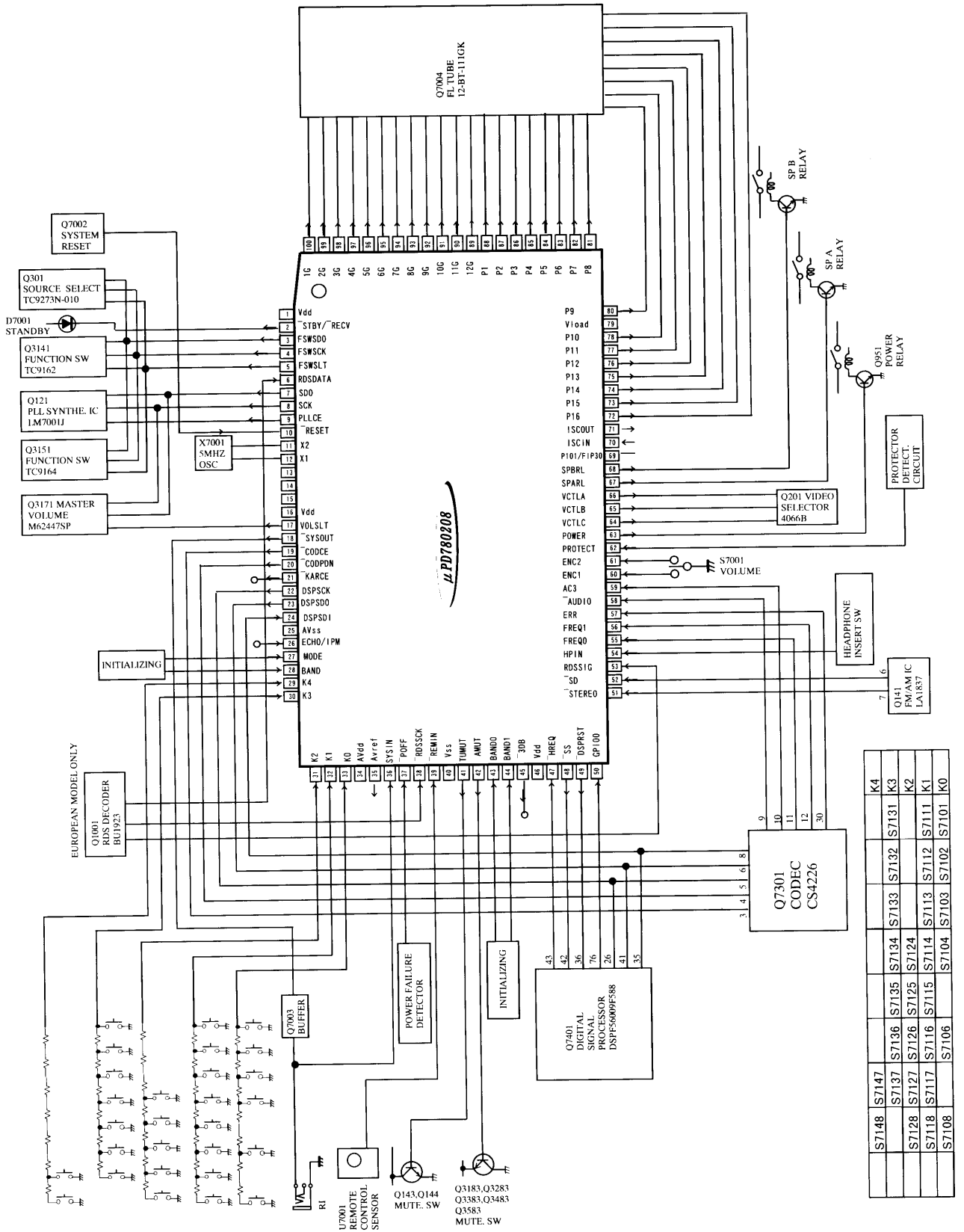


7. Changing the band step

With the exception of the worldwide models, a tuning step selector switch is not provided. When you change the band step, change the parts as shown below.

	To 10kHz	To 9kHz
R7035	Open	10kohm
R7036	Shorted	Open
R7037	Open	10kohm
R7038	Shorted	Open

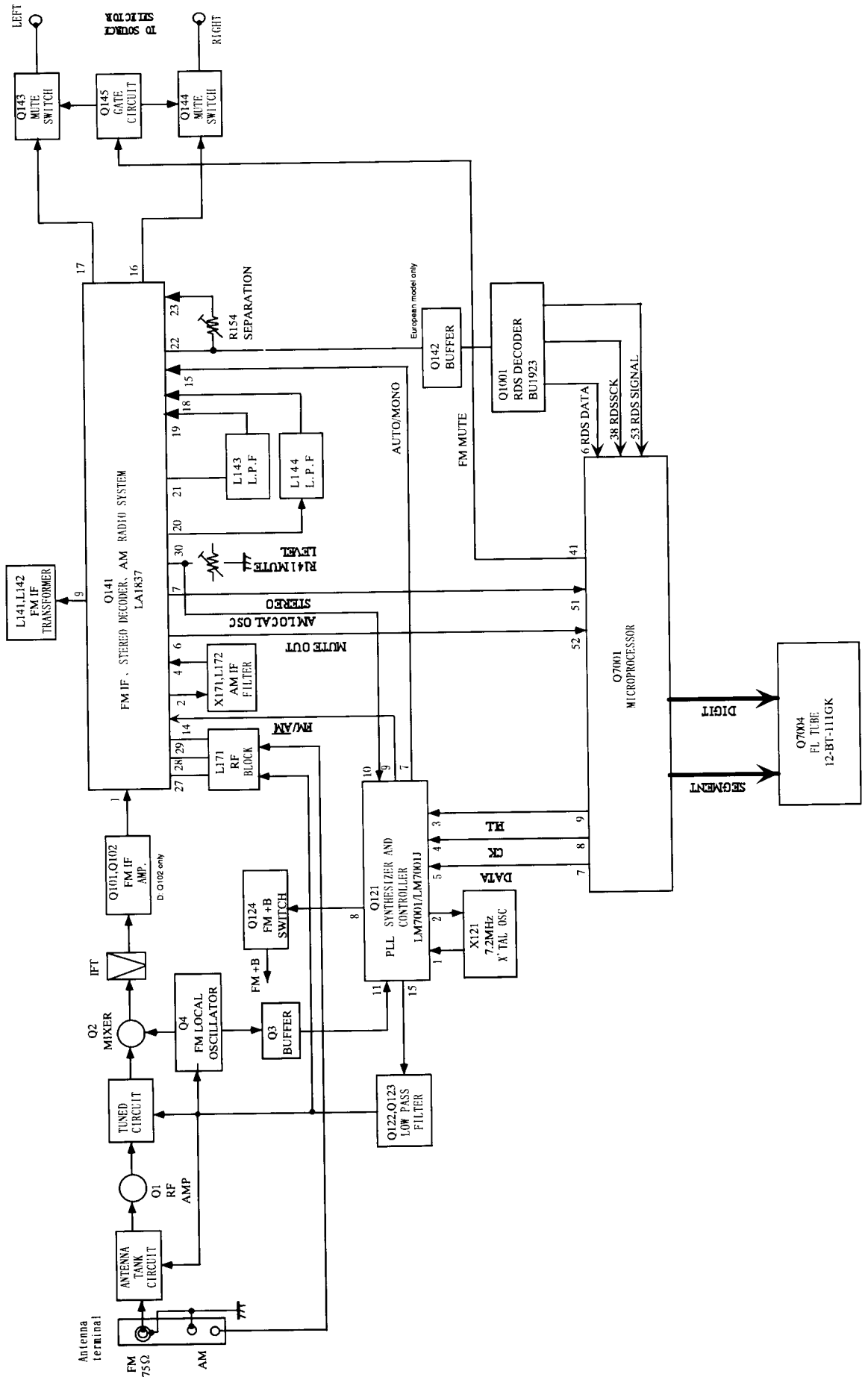
MICROPROCESSOR-CONNECTION DIAGRAM MODEL TX-DS474



MICROPROCESSOR-TERMINAL DESCRIPTION

No.	Function	I/O	Description	No.	Function	I/O	Description
1	V _{dd}		Power supply terminal (+5V)	42	AMUT	O	Muting control output terminal for amplifier section
2	STBY/RECV	O	STANDBY/RECEIVED indicator control output terminal.	43	BAND0	I	Initializing input terminal for band step
3	FSWSDO	O	Data output terminal to function switch ICs.	44	BAND1	I	
4	FSWSCK	O	Clock output terminal to function switch ICs.	45	3DB	O	Not used.
5	FSWSLT	O	Latch output terminal to function switch ICs.	46	V _{dd}		Power supply terminal
6	RDSDATA	I	Data input terminal from RDS decoder	47	HREQ	I	Request signal input terminal from DSP IC.
7	SDO	O	Data output terminal to PLL IC LM7001J and Master volume IC M62447SP.	48	SS	O	Output terminal to DSP IC.
8	SCK	O	Clock output terminal to PLL IC LM7001J and Master volume IC M62447SP.	49	DSPRST	O	Reset signal output terminal to DSP ICs.
9	PLLCE	O	Chip enable output terminal to PLL IC LM7001J.	50	GPI00	I	Input terminal from terminal SS of DSP IC.
10	RESET	I	System reset input terminal	51	STEREO	I	Stereo broadcast detection input terminal
11	X2		Ceramic oscillator connection terminals.	52	SD	I	Broadcast detection input terminal
12	X1		Connect 5.0MHz ceramic oscillator between the both terminals.	53	RDSIG	I	Signal input terminal from RDS decoder
13	IC		Internal connection terminal.	54	HPIN	I	Input terminal when the headphone is inserted.
14,15	XT2,XT1		Sub system clock input terminal. Not used.	55	FREQ0	I	Input terminal to check the frequency of DIR CS4226.
16	V _{dd}		Power supply terminal (+5V)	56	FREQ1	I	Input terminal to check the frequency of DIR CS4226.
17	VOLSLT	O	Latch output terminal to Master volume IC M62447SP.	57	ERR	I	OVL/ERR signal input terminal from DIR CS4226. H=Over level when analog signal or Error when digital signal
18	SYSOUT	O	System code output terminal	58	AUDIO	I	MPEG detection Input terminal from DIR.
19	CODCE	O	Chip enable output terminal to DIR IC CS4226.	59	AC3	I	AC3 detection Input terminal from DIR.
20	CODPDN	O	Data output terminal to DIR IC CS4226.	60	ENC1	I	Volume control input terminal
21	KARCE	O	Not used.	61	ENC2	I	Volume control input terminal
22	DSPSCK	O	Clock output terminal to DSP ICs.	62	PROTECT	I	Detection input terminal for protection circuit
23	DSPSDO	O	Data output terminal to DSP ICs.	63	POWER	O	Relay control output terminal for POWER
24	DSPSDI	I	Data input terminal from DSP ICs.	64	VCTLC	O	Video selector control output terminal
25	AV _{ss}		Power supply terminal (GND)	65	VCTLB	O	Video selector control output terminal
26	ECHO	I	Not used.	66	VCTLA	O	Video selector control output terminal
27	MODE	I	Initializing input terminal of operation mode.	67	SPARL	O	Control output terminal for SPEAKER A relay
29-33	K4-K0	I	Operation key connection terminals	68	SPBRL	O	Control output terminal for SPEAKER B relay
34	AV _{dd}		Power supply terminal	69		NC	Not used.
35	Avref	O	Reference voltage terminal	70	ISCIN	I	Not used.
36	SYSIN	I	System code input terminal	71	ISCOU	O	Not used.
37	POFF	I	Power failure detection terminal	72-78	P16-P10	O	Segment output terminals
38	RDSSCK	I	Clock input terminal from RDS decoder	79	Vload		Power supply terminal for FL tube
39	REMIN	I	Signal input terminal from remote controller	80-88	P9-P1	O	Segment output terminals
40	V _{ss}		Power supply terminal.	89-100	I2G-I1G	O	Grid output terminals.
41	TUMUT	O	Muting control output terminal for tuner section				

BLOCK DIAGRAM TUNER SECTION



CAUTION: Replacement of the transistor of mark *, if necessary, must be made from the same beta group (HFE) as the original type.

CIRCUIT NO. PART NO. DESCRIPTION			POWER AMPLIFIER PC BOARD (NAAF-6495-4A/4B)		
Resistors			Transistors		
R932	453530224F	2.2Ω ±5%,1/2W,Metal	Q1501,Q1502	2211732,	2SC1845-F,
R921-R925	453532294	0.22Ω ±5%,1/2W,Metal	Q1503,Q1514	2211733,	2SC1845-E,
Terminal			Q601-Q604	2210755 or	2SC1775A-E or
P261	25045575 or	NPJ-4PDRW389 or	Q609,Q610	2210756	2SC1775A-F
	25045303	NPJ-4PDBL162	Q1504,Q1505	2215843 or	NS KTA1024-O or
Sockets			Q1507	2211353	2SA949-O
JL3901A	25051110	NSCT-6P897	Q1508	2215853 or	NS KTC3206-O or
JL3902A,JL961A	25051107	NSCT-3P894	Q617,Q618	2211633	2SC2229-O
JL911A	25051111	NSCT-7P898	Q1509,Q1510	2212653 or	2SC3421-O or
P520	25052138	NSCT-7P2036	Q615,Q616	2212654	2SC3421-Y
P7001B	25052049,	NSCT-40P1836,	Q1511	2212643 or	2SA1358-O or
	25050980,	NSCT-40P767,	Q621,Q622	2212644	2SA1358-Y
	25051306 or	NSCT-40P1095 or	Q1512	2202253,	* 2SC4467-O,
	25051847	NSCT-40P1634	Q523,Q524	2202254,	* 2SC4467-Y,
Plugs			Q623,Q624	2202256,	* 2SC4467-P,
P102A,P204A	25055705	NPLG-9P661		2203042 or	* 2SC5197-R or
P103A,P206A	25055804	NPLG-4P760		2203043	* 2SC5197-O
P205A	25055805	NPLG-16P761	Q1513	2202243,	* 2SA1694-O,
P242A,P305A	25055705	NPLG-9P661	Q525,Q526	2202244,	* 2SA1694-Y,
P303A	25055807	NPLG-18P763	Q625,Q626	2202246,	* 2SA1694-P,
P304A	25055708	NPLG-12P664		2203032 or	* 2SA1940-R or
P306A	25055702	NPLG-6P658		2203033	* 2SA1940-O
DIGITAL INPUT PC BOARD (NADG-6489-4A/4B)			Q1515	2215864,	NS KTC3199-GR,
CIRCUIT NO. PART NO. DESCRIPTION			Q611,Q612	2212115 or	2SC2458-GR or
Q7201	222740046R2TO	TC74HCU04F,IC		2213284	2SC1740S-R
U7201	24120037	TORX178A,Photo coupler	Q605,Q606	2215843 or	NS KTA1024-O or
L7202	231237M022R2	NCH-1471,Coil	Q613,Q614	2211353	2SA949-O
C7203	354721019	100μF,6.3V,Elect. capacitor	Q619,Q620	2212653 or	2SC3421-O or
P7201	25045504	NPJ-1PDBL319,Terminal		2212654	2SC3421-Y
P7202	25045473	NPJ-1PDBL291,Terminal	Q627,Q628	2211732,	2SC1845-F,
S7201	25065286	NSS-22112,Slide switch <W>		2211733,	2SC1845-E,
P7203A	2009990527UL	NSAS-10P0692,Socket		2210755 or	2SC1775A-E or
				2210756	2SC1775A-F
				2211733,	2SC1845-E,
HEADPHONE PC BOARD (NAETC-6490-4A/4B)			Q629,Q630	2215843 or	NS KTA1024-O or
CIRCUIT NO. PART NO. DESCRIPTION				2211353	2SA949-O
P7003	25045514	YKB26-5005,Headphone terminal	Q691	2215830,	NS KRC105M,
P504	2002381260	NSAS-12P0700,Socket		2213640 or	DTC123JS or
JL702B	25051089	NSCT-5P876,Socket		2214660	RN1205
VOLUME PC BOARD (NAETC-6491-4A/4B)			Diodes		
CIRCUIT NO. PART NO. DESCRIPTION			D1501,D1506	223163 or	1SS133 or
S7001	25065575	EC16B2425,Rotary encoder	D607,D608	223205	1SS270A
JL701A	25051087	NSCT-3P874,Socket	D691	223163 or	1SS133 or
				223205	1SS270A
TONE CONTROL CIRCUIT PC BOARD (NAETC-6492-4A/4B)			Coils		
CIRCUIT NO. PART NO. DESCRIPTION			L1501	231176S	S-1.3C
C391,C392	374721534	0.015μF±5%,50V,Plastic capacitor	L601,L602	231176S	S-1.3C
R391,R392	5104356	N14RLC100KWT20Z,Variable resistor	Capacitors		
JL391B	25050271	NSCT-7P99,Socket	C1501	354784709	47μF,50V,Elect.
			C1502	374721015	100pF±10%,50V,Plastic
			C1503	354742219	220μF,16V,Elect.
			C1504,C1505	354781009	10μF,50V,Elect.
			C1510	374724734	0.047μF±5%,50V,Plastic
			C1511	374721044	0.1μF±5%,50V,Plastic
			C1512	354744709	47μF,16V,Elect.
			C1526	374721034	0.01μF±5%,50V,Plastic
			C1530	354780109	1μF,50V,Elect.
			C1533,C1534	354781009	10μF,50V,Elect.
			C601,C602	354784709	47μF,50V,Elect.
			C603,C604	374721015	100pF±10%,50V,Plastic
			C605,C606	354744709	47μF,16V,Elect.
			C607,C608	354742219	220μF,16V,Elect.
MIC. INPUT TERMINAL PC BOARD (NAETC-6493-4A/4B)					
CIRCUIT NO. PART NO. DESCRIPTION					
Q7801	22240051R2	NJM2068M			
Capacitors					
C7802	354741009	10μF,16V,Elect.			
C7809,C7810	354741009	10μF,16V,Elect.			
C7805,C7806	374722224	2200pF±5%,50V,Plastic			
Terminal					
P7801,P7802	25045574	YKB22-5176			
Plug					
JL781B	25055626	NPLG-5P588			

PRINTED CIRCUIT BOARD-PARTS LIST

MODEL TX-DS474

NS : No Spare Part

DISPLAY CIRCUIT PC BOARD (NADIS-6487-3A/3B/3C/3D)

CIRCUIT NO.	PART NO.	DESCRIPTION
	FL tube	
Q7004	212196	12-BT-111GK
	ICs	
Q1001	22241297R2	BU1923F <P>
Q3001,Q3101	22240581R1	NJM4565M
Q3301,Q3501	22240581R1	NJM4565M
Q7001	22241351	MPD780206GF-051
Q7301	22241218R3	CS4226-KQ
Q7401	22241219R3 or 22241235R3	DSPF56009FJ88 or XCF56009FJ88
Q7402	22241101R2	LC32464M-80
	Remote sensor	
U7001	241305	GP1U281X
	Transistors	
Q7002	2214490R2	RN1404
Q7003	2214540R2	RN2403
Q7005,Q7006	2213143R2	2SC2712-O
	Diodes	
D1001	223234R2 or 223233R1	1SS352 or 1SS355 <P>
D7001	225290	SEL4110R
D7002,D7003	223233R1 or	1SS355 or
D7005-D7008	223234R2	1SS352
D7004	224490560R2	UDZ5.6B
D7009	224491200R2	UDZ12B
D7010	223233R1 or	1SS355 or
D7301-D7306	223234R2	1SS352
D7401-D7404	223233R1 or 223234R2	1SS355 or 1SS352
	Coils	
L7001-L7003	231237K220R2	NCH-1477
L7301,L7302	231237K100R2	NCH-1475
L7701..L7702	231237K220R2	NCH-1477
	Oscillators	
X1001	3010203	AF6146CG <P>
X7001	3010242	CST5.00MGW
X7301	3010279	XTL-18.432M
	Capacitors	
C1001	354780229	2.2 μ F,50V,Elect. <P>
C1003	354721019	100 μ F,6.3V,Elect. <P>
C7023	354721029	1000 μ F,6.3V,Elect.
C7302	374728224	8200pF \pm 5%,50V,Plastic
C7303,C7405	374721044	0.1 μ F \pm 5%,50V,Plastic
C7312,C7409	355721019	100 μ F,6.3V,Elect.
C7319	375524744	0.47 μ F \pm 5%,50V,Plastic
C7414,C7416	355741009	10 μ F,16V,Elect.
	Sockets	
JL702A	25051089	NSCT-5P876
P7203A	2009990528UL	NSAS-12P0693 <W>
	Plug	
JL701B	25055624	NPLG-3P586
	Push switches	
S7101-S7104	25035652	NPS-111-S604
S7108	25035652	NPS-111-S604
S7111-S7118	25035652	NPS-111-S604
S7124-S7128	25035652	NPS-111-S604
S7131-S7137	25035652	NPS-111-S604
S7147,S7148	25035652	NPS-111-S604
	Holder	
Q7004B	27190989	(FL)

SURROUND SWITCH PC BOARD (NAAR-6488-3A/3B/3C/3D)

CIRCUIT NO.	PART NO.	DESCRIPTION
	ICs	
Q261,Q281	22240581R1	NJM4565M
Q3141	22240981R2	TC9162AF
Q3151	22241221R2	TC9164AF
Q931	222780565JRC	NJM78M56FA
	Transistors	
Q932	2211455 or	2SA1015-GR or
Q932 or	2215975	NS KTA1266-GR
	Diodes	
D3151,D3152	224490620R2	UDZ6.2B
D921	22380285F or 22380022F	RS403M or RBV402
D931	224490620R2	UDZ6.2B
D932	223234R2 or 223233R1	1SS352 or 1SS355
D933-D938	22380260,	RL1N4003,
D940,D941	22380032 or 22380035	1SR139-100 or GP104003E
D939	224492700R2	UDZ27B
	Capacitors	
C267,C268	354741009	10 μ F,16V,Elect.
C269,C270	354721019	100 μ F,6.3V,Elect.
C273,C274	374728224	8200pF \pm 5%,50V,Plastic
C275,C276	374721824	1800pF \pm 5%,50V,Plastic
C277,C278	354744709	47 μ F,16V,Elect.
C3141,C3142	354741009	10 μ F,16V,Elect.
C3151,C3152	354741009	10 μ F,16V,Elect.
C923	354754729	4700 μ F,25V,Elect.
C924	354761029	1000 μ F,35V,Elect.
C927,C928	354741009	10 μ F,16V,Elect.
C933	354741029	1000 μ F,16V,Elect.
C935	354741009	10 μ F,16V,Elect.
C936,C937	354762219	220 μ F,35V,Elect.
C940,C941	354761019	100 μ F,35V,Elect.
	Resistors	
R921-R925	453532294	0.22 Ω \pm 5%,1/2W,Metal
R926	452630564	5.6 Ω \pm 5%,1W,Metal
R929	441623304	33 Ω \pm 5%,1W,Metal oxide
R932	453530224	2.2 Ω \pm 5%,1/2W,Metal
R933	452630104	1 Ω \pm 5%,1W,Metal <D>
		2.2 Ω \pm 5%,1W,Metal <P/W/T/A>
R934	442522204	22 Ω \pm 5%,1/2W,Metal oxide
	Terminal	
P261	25045575 or 25045303	NPJ-4PDRW389 or NPJ-4PDBL162
	Sockets	
JL3901A	25051110	NSCT-6P897
JL3902A,JL961A	25051107	NSCT-3P894
JL911A	25051111	NSCT-7P898
P520	25052138	NSCT-7P2036
P7001B	25052049, 25050980, 25051306 or 25051847	NSCT-40P1836, NSCT-40P767, NSCT-40P1095 or NSCT-40P1634
	Plugs	
P102A,P204A	25055705	NPLG-9P661
P103A,P206A	25055804	NPLG-4P760
P205A	25055805	NPLG-16P761
P242A,P305A	25055705	NPLG-9P661
P303A	25055807	NPLG-18P763
P304A	25055708	NPLG-12P664

CAUTION: Replacement of the transistor of mark *, if necessary, must be made from the same beta group (HFE) as the original type.

DIGITAL INPUT PC BOARD (NADG-6489-3A/3B/3C/3D)

CIRCUIT NO.	PART NO.	DESCRIPTION
Q7201	222740046R2O	TC74HCU04F,IC
U7201	24120037	TORX178A,Photo coupler
L7202	231237M022R2	NCH-1471,Coil
C7203	354721019	100 μ F,6.3V,Elect. Capacitor
P7203A	2009990527UL	NSAS-10P0692,Socket <D/P/T/A>
P7201	25045504	NPJ-1PDBL319,Terminal
P7202	25045473	NPJ-1PDBL291,Terminal
S7201	25065286	NSS-22112,Slide switch <W>

HEADPHONE PC BOARD (NAETC-6490-3A/3B/3C/3D)

CIRCUIT NO.	PART NO.	DESCRIPTION
P7003	25045514	YKB26-5005,Headphone terminal
JL702B	25051089	NSCT-5P876,Socket
P504	2002381260	NSAS-12P0700,Socket

VOLUME PC BOARD (NAETC-6491-3A/3B/3C/3D)

CIRCUIT NO.	PART NO.	DESCRIPTION
S7001	25065575	EC16B2425,Rotary encoder
JL701A	25051087	NSCT-3P874,Socket

TONE CONTROL CIRCUIT PC BOARD (NAETC-6492-3A/3B/3C/3D)

CIRCUIT NO.	PART NO.	DESCRIPTION
R391,R392	5104356	N14RLC100KWT20Z,Variable resistor
JL391B	25050271	NSCT-7P99,Socket

POWER AMPLIFIER PC BOARD (NAAF-6495-3A/3B/3C/3D)

CIRCUIT NO.	PART NO.	DESCRIPTION
Transistors		
Q1501,Q1502	2211732,	2SC1845-F,
Q1503,Q1514	2211733,	2SC1845-E,
Q601-Q604	2210755 or	2SC1775A-E or
Q609,Q610	2210756	2SC1775A-F
Q1504,Q1505	2215843 or	NS KTA1024-O or
Q1507	2211353	2SA949-O
Q1508	2215853 or	NS KTC3206-O or
Q617,Q618	2211633	2SC2229-O
Q1509,Q1510	2212653 or	2SC3421-O or
Q615,Q616	2212654	2SC3421-Y
Q1511	2212643 or	2SA1358-O or
Q621,Q622	2212644	2SA1358-Y
Q1512	2202253,	* 2SC4467-O,
Q623,Q624	2202254,	* 2SC4467-Y,
	2202256,	* 2SC4467-P,
	2203042 or	* 2SC5197-R or
	2203043	* 2SC5197-O, Transistor
Q1513	2202243,	* 2SA1694-O,
Q625,Q626	2202244,	* 2SA1694-Y,
	2202246,	* 2SA1694-P,
	2203032 or	* 2SA1940-R or
	2203033	* 2SA1940-O, Transistor
Q1515	2215864,	NS KTC3199-GR,
Q611,Q612	2212115 or	2SC2458-GR or
	2213284	2SC1740S-R
Q605,Q606	2215843 or	NS KTA1024-O or
Q613,Q614	2211353	2SA949-O
Q619,Q620	2212653 or	2SC3421-O or
	2212654	2SC3421-Y
Q627,Q628	2211732,	2SC1845-F,
	2211733,	2SC1845-E,
	2210755 or	2SC1775A-E or
	2210756	2SC1775A-F
	2211733,	2SC1845-E,

CIRCUIT NO.	PART NO.	DESCRIPTION
Transistors		
Q629,Q630	2215843 or	NS KTA1024-O or
	2211353	2SA949-O
Q691	2215830,	NS KRC105M,
	2213640 or	DTC123JS or
	2214660	RN1205
Diodes		
D1501,D1506	223163 or	1SS133 or
D607,D608	223205	1SS270A
D691	223163 or	1SS133 or
	223205	1SS270A
Coils		
L1501	231176S	S-1.3C
L601,L602	231176S	S-1.3C
Capacitors		
C1501	354784709	47 μ F,50V,Elect.
C1502	374721015	100pF \pm 10%,50V,Plastic
C1503	354742219	220 μ F,16V,Elect.
C1504,C1505	354781009	10 μ F,50V,Elect.
C1510	374724734	0.047 μ F \pm 5%,50V,Plastic
C1511	374721044	0.1 μ F \pm 5%,50V,Plastic
C1512	354744709	47 μ F,16V,Elect.
C1526	374721034	0.01 μ F \pm 5%,50V,Plastic <P/W/T/A>
C1530	354780109	1 μ F,50V,Elect.
C1533,C1534	354781009	10 μ F,50V,Elect.
C601,C602	354784709	47 μ F,50V,Elect.
C603,C604	374721015	100pF \pm 10%,50V,Plastic
C605,C606	354744709	47 μ F,16V,Elect.
C607,C608	354742219	220 μ F,16V,Elect.
C615,C616	354781009	10 μ F,50V,Elect.
C619,C620	354781009	10 μ F,50V,Elect.
C621,C622	374724734	0.047 μ F \pm 5%,50V,Plastic
C623,C624	374721044	0.1 μ F \pm 5%,50V,Plastic
C625,C626	374721034	0.01 μ F \pm 5%,50V,Plastic <P/W/T/A>
C627,C628	354782219	220 μ F,50V,Elect.
C631-C634	354784709	47 μ F,50V,Elect.
C635-C638	354781009	10 μ F,50V,Elect.
C639,C640	354780109	1 μ F,50V,Elect.
C681	354781009	10 μ F,50V,Elect.
Resistors		
R1512,R1513	443528204	82 Ω \pm 5%,1/2W,Metal oxide
R1515	443526804	68 Ω \pm 5%,1/2W,Metal oxide
R1516	443528204	82 Ω \pm 5%,1/2W,Metal oxide
R1517	443525604	56 Ω \pm 5%,1/2W,Metal oxide
R1519	443522214	220 Ω \pm 5%,1/2W,Metal oxide
R1522,R1523	453530224	2.2 Ω \pm 5%,1/2W,Metal
R1524	4000132 or	0.22 Ω \times 2 \pm 5%,5.5W or
	4500245	0.22 Ω \times 2 \pm 5%,5.5W,Metal plate
R1529	453630824	8.2 Ω \pm 5%,1W,Metal
R1532	5210288	N06HR2.2KBE,Trimming
R1534,R1535	4500159F	0.22 Ω \pm 5%,1/4W,Metal
R1570	443525614	560 Ω \pm 5%,1/2W,Metal oxide
R623-R626	443528204	82 Ω \pm 5%,1/2W,Metal oxide
R629,R630	443525604	56 Ω \pm 5%,1/2W,Metal oxide
R633,R634	443526804	68 Ω \pm 5%,1/2W,Metal oxide
R635,R636	443528204	82 Ω \pm 5%,1/2W,Metal oxide
R641,R642	443522214	220 Ω \pm 5%,1/2W,Metal oxide
R643-R646	453530224	2.2 Ω \pm 5%,1/2W,Metal
R647,R648	4000132 or	0.22 Ω \times 2 \pm 5%,5.5W or
	4500245	0.22 Ω \times 2 \pm 5%,5.5W,Metal plate
R655,R656	453630824	8.2 Ω \pm 5%,1W,Metal
R659,R660	4500171F	2.2 Ω \pm 5%,1/4W,Metal
R673,R674	5210288	N06HR2.2KBE,Trimming
R675-R678	4500159F	0.22 Ω \pm 5%,1/4W,Metal

CIRCUIT NO.	PART NO.	DESCRIPTION
Sockets		
JL903B	25050268	NSCT-4P96
JL501B	25050282	NSCT-5P110
JL902A	25051108	NSCT-4P895
P601A	2009990466UL	NSAS-10P0620
Plugs		
P1511	25055038	NPLG-2P29
P611,P612	25055038	NPLG-2P29
Terminal		
P603	25060287	NTM-6PDML218
Relays		
RL1501	25065578	NRL-1P5A-DC12-135
RL601	25065522 or 25065582	NRL-2P5A-DC20-100 or NRL-2P5A-DC18-138
FRONT CHANNEL POWER AMPLIFIER PC BOARD (NAAF-6496-3A/3B/3C/3D)		
CIRCUIT NO.	PART NO.	DESCRIPTION
Transistors		
Q501-Q506	2211732,	2SC1845-F,
Q527,Q528	2211733,	2SC1845-E,
Q581,Q582	2210755 or 2210756	2SC1775A-E or 2SC1775A-F
Q507-Q510	2215843 or	NS KTA1024-O or
Q513,Q514	2211353	2SA949-O
Q515,Q516	2215853 or 2211633	NS KTC3206-O or 2SC2229-O
Q517,Q518	2212654 or 2212653	2SC3421-Y or 2SC3421-O
Q519,Q520	2212653 or 2212654	2SC3421-O or 2SC3421-Y
Q521,Q522	2212643 or 2212644	2SA1358-O or 2SA1358-Y
Q523,Q524	2202253, 2202254, 2202256, 2203042 or 2203043	* 2SC4467-O, * 2SC4467-Y, * 2SC4467-P, * 2SC5197-R or * 2SC5197-O, Transistor
Q525,Q526	2202243, 2202244, 2202246, 2203032 or 2203033	* 2SA1694-O, * 2SA1694-Y, * 2SA1694-P, * 2SA1940-R or * 2SA1940-O, Transistor
Q529,Q530	2215864, 2212115 or 2213284	KTC3199-GR, 2SC2458-GR or 2SC1740S-R
Q583	2211792 or 2211793	2SA992-F or 2SA992-E
Q591,Q592	2215830, 2213640 or 2214660	NS KRC105M, DTC123JS or RN1205
Diodes		
D511,D512	223163 or	1SS133 or
D591,D592	223205	1SS270A
D910	22380038 or 22380274	RBV602 or RS603M
Coils		
L501,L502	231176S	S-1.3C
Capacitors		
C501,C502	354784709	47 μ F,50V,Elect.
C5043,C504	374721015	100pF \pm 10%,50V,Plastic
C505,C506	354742219	220 μ F,16V,Elect.
C507-C510	354781009	10 μ F,50V,Elect.
C517,C518	374724734	0.047 μ F \pm 5%,50V,Plastic

CIRCUIT NO.	PART NO.	DESCRIPTION
Capacitors		
C519,C520	374721044	0.1 μ F \pm 5%,50V,Plastic
C521,C522	354744709	47 μ F,16V,Elect.
C525,C526	354781019	100 μ F,50V,Elect.
C535,C536	374721034	0.01 μ F \pm 5%,50V,Plastic <P/T/W/A>
C563,C564	374721034	0.01 μ F \pm 5%,50V,Plastic <P/W/T/A>
C581	354721019	100 μ F,6.3V,Elect.
C905,C906	374721044	0.1 μ F \pm 5%,50V,Plastic
C915,C916	3504344	10000 μ F,50V,Elect.
Resistors		
R521-R524	443528204	82 Ω \pm 5%,1/2W,Metal oxide
R525,R526	443526804	68 Ω \pm 5%,1/2W,Metal oxide
R527,R528	443528204	82 Ω \pm 5%,1/2W,Metal oxide
R529,R530	443525604	56 Ω \pm 5%,1/2W,Metal oxide
R539-R542	453530224	2.2 Ω \pm 5%,1/2W,Metal
R543,R544	443522214	220 Ω \pm 5%,1/2W,Metal oxide
R547,R548	4000132 or 4500245	0.22 Ω \times 2 \pm 5%,5.5W or 0.22 Ω \times 2 \pm 5%,5.5W,Metal plate
R555,R556	453630824	8.2 Ω \pm 5%,1W,Metal
R557,R558	443623914	390 Ω \pm 5%,1W,Metal oxide
R573,R574	5210259	N06HR2KBC,Trimming
R591,R592	4500171F	2.2 Ω \pm 5%,1/4W,Metal
Sockets		
JL501A	25051109	NSCT-5P896
JL901A	25051111	NSCT-7P898
JL902B	25050268	NSCT-4P96
JL903A	25051108	NSCT-4P895
Plugs		
P504A	25055444	NPLG-6P426
P511	25055038	NPLG-2P29
P512	25055038	NPLG-2P29
P520A	25055913	NPLG-7P866
Terminal		
P502	25060288	NTM-8PDML219
Relays		
RL501,RL502	25065522 or	NRL-2P5A-DC20-100 or
RL502 or	25065582	NRL-2P5A-DC18-138

VOLUME CIRCUIT PC BOARD (NAVD-6497-3A/3B/3C/3D)

CIRCUIT NO.	PART NO.	DESCRIPTION
ICs		
Q3181,Q3281	22240247 or	BA15218N or
Q3581,Q4101	22240293	NJM4558L-D
Q3171	22241296	M62447SP
Q201	222840661	4066B
Transistors		
Q202,Q203	2215864, 2212115 or 2213284	NS KTC3199-GR, 2SC2458-GR or 2SC1740S-R
Q204,Q206	2215770,	NS KRA102M,
Q208,Q3184	2213510 or Q3185	DTA114ES or RN2202
Q205,Q207	2215830,	NS KRC105M,
Q209,Q4102	2213640 or 2214660	DTC123JS or RN1205
Q210,Q4203	2215790, 2213090 or 2213590	NS KRA107M, DTA114YS or RN2207
Q3183,Q3283	2213631 or	RN1241-A or
Q3383,Q3483	2213632	RN1241-B
Q3583,Q3683	2213631 or	RN1241-A or
Q3684,Q4104	2213632	RN1241-B

NOTE: THE COMPONENTS IDENTIFIED BY MARK Δ ARE CRITICAL FOR RISK OF FIRE AND ELECTRIC SHOCK. REPLACE ONLY WITH PART NUMBER SPECIFIED.

CIRCUIT NO.	PART NO.	DESCRIPTION
	Transistor	
Q4103	2215770, 2213510 or 2214350	KRA102M, DTA114ES or RN2202
Q4204	2213631 or 2213632	RN1241-A or RN1241-B
	Diodes	
D201,D202	223163 or	1SS133 or
D3281	223205	1SS270A
D3276,D3277	224470472	MTZJ4.7B
D3171	224470512	MTZJ5.1B
	Capacitors	
C201,C202	354741009	10 μ F,16V,Elect.
C203	354721019	100 μ F,6.3V,Elect.
C205,C209	354724719	470 μ F,6.3V,Elect.
C206,C207	354721019	100 μ F,6.3V,Elect.
C3171,C3181	354780229	2.2 μ F,50V,Elect.
C3173,C3175	354741009	10 μ F,16V,Elect.
C3177,C3186	354741009	10 μ F,16V,Elect.
C3187,C3287	374721534	0.015 μ F \pm 5%,50V,Plastic
C3189,C3271	354780229	2.2 μ F,50V,Elect.
C3192,C3193	354741009	10 μ F,16V,Elect.
C3194,C3286	354741009	10 μ F,16V,Elect.
C3281,C3289	354780229	2.2 μ F,50V,Elect.
C3371,C3381	354780229	2.2 μ F,50V,Elect.
C3384,C3471	354780229	2.2 μ F,50V,Elect.
C3481,C3484	354780229	2.2 μ F,50V,Elect.
C3571,C3581	354780229	2.2 μ F,50V,Elect.
C3586,C3671	354780229	2.2 μ F,50V,Elect.
C3681,C3684	354780229	2.2 μ F,50V,Elect.
C3683	374724734	0.047 μ F \pm 5%,50V,Plastic
C3685	374721044	0.1 μ F \pm 5%,50V,Plastic <P/T/W/A>
C4103,C4203	354744709	47 μ F,16V,Elect.
	Terminals	
P203	25045299	NPJ-3PDYE158
P202	25045315	NPJ-2PDYE172
P201	25045567	NPJ-1PDBL382
	Sockets	
JL391A	25051111	NSCT-7P898
JL4001A,JL400	25051108	NSCT-4P895
P204	25051234	NSCT-9P1024
P206	25051526	NSCT-4P1313
P205	25051527	NSCT-16P1314
P7001A	25052086, 25050946, 25051344 or 25051884	NSCT-40P1873, NSCT-40P733, NSCT-40P1133 or NSCT-40P1671
	Plugs	
P601	25055236	NPLG-5P220

PRIMARY CIRCUIT PC BOARD (NAPS-6498-3A/3B/3C/3D)

CIRCUIT NO.	PART NO.	DESCRIPTION
	Transistor	
Q951	2215830 or	NS KRC105M or
Q951 or	2213640	DTC123JS
	Diodes	
D951-D954	22380032, 22380035 or 22380260	1SR139-100, GP104003E or RL1N4063 <P/W/T/A>
D955	223163 or 223205	1SS133 or 1SS270A

CIRCUIT NO.	PART NO.	DESCRIPTION
	Transformers	
T902	2301258 or 2301381	Δ NPT-1294D or Δ NPT-1358D <D>
	2300671A or 2301382	Δ NPT-1111P or Δ NPT-1358P <P/T/A>
	2300672A or 2301383	Δ NPT-1111DG or Δ NPT-1358DG <W>
	Capacitors	
C901,C902	3500196	Δ RE275V-103M
C952	354761019	100 μ F,35V,Elect.
	Resistors	
R901	431533355	Δ 3.3M Ω \pm 20%,1/2W,Solid <D>
R951	453530824	8.2 Ω \pm 5%,1/2W,Metal
	Sockets	
JL961B	25050267	NSCT-3P95
P903	25051125	Δ NSCT-4P912 <P/W/T>
	25051126	Δ NSCT-4P913 <D>
	25052115	Δ NSCT-2P2013,AC outlet <A>
	Fuse holders	
F911A	25052133	Δ NSCT-1P2031 <D/W>
F922A	25052133	Δ NSCT-1P2031 <P/W/T/A>
F933A	25052133	Δ NSCT-1P2031 <P/T>
	Plug	
P901A	25055675	Δ NPLG-2P631
	Switch	
S901	25035550	Δ NPS-111-1.512P
S902	25065437	Δ NSS-22157P <W>
	Relay	
RL901	25065508, 25065515, 25065526 or 25065561	Δ NRL-1P10A-DC12-093, Δ NRL-1P5A-DC12-096, Δ NRL-1P5A-DC12-102 or Δ NRL-1P5A-DC12-127
	Fuses	
F911	252166	Δ 6.3A-UL/T-237,Fuse <D>
	252198	Δ 8A-UL, Fuse <W>
F922	252077 or 252243	Δ 4A-SE-EAK or Δ 4A-SE-EAK,Fuse <P/W/A>
F933	252075 or 252241	Δ 2.5A-SE-EAK or Δ 2.5A-SE-EAK, Fuse <P>
	Fuse label	
F911A	29362027	6.3A/125V <D>

MULTI-CHANNEL TERMINAL PC BOARD (NAAF-6500-3A/3B/3C/3D)

CIRCUIT NO.	PART NO.	DESCRIPTION
	ICs	
Q241-Q243	22240247 or 22240293	BA15218N or NJM45581-D
	Capacitors	
C248,C249	354741009	10 μ F,16V,Elect.
	Terminal	
P241	25045572	NPJ-6PDBRW387
	Socket	
P242	25051234	NSCT-9P1024

SECONDARY PC BOARD (NAETC-6505-3A/3B/3C/3D)

CIRCUIT NO.	PART NO.	DESCRIPTION
	Resistors	
R991-R993	453530104	Δ 1 Ω \pm 5%,1/2W,Metal
	Sockets	
JL911B	25050284	NSCT-7P112
JL901B	25051111	NSCT-7P898

TUNER PC BOARD (NARF-6509-3A/3B/3C/3D)

CIRCUIT NO.	PART NO.	DESCRIPTION
Front end		
TU001	240131	ENV172D4G1 <D>
	240132	ENV172D3G1 <P/W/T/A>
ICs		
Q121	22241076 or	LM7001J or
	22240090	LM7001
Q141	22241151	LA1837
Transistors		
Q101	2210746	2SC945A-P <P/W/T/A>
Q102	2211732	2SC1845-F
Q122	2212445	2SK365-GR
Q123,Q142	2215864,	NS KTC3199-GR,
	2212115 or	2SC2458-GR or
	2213284	2SC1740S-R
Q124,Q145	2215770,	NS KRA102M,
	2213510 or	DTA114ES or
	2214350	RN2202
Q143,Q144	2215024 or	2SD1468S-R or
	2212794	2SD1468-R
Diodes		
D101	224470512	MTZJ5.1B
D102	224470913	MTZJ9.1C
Coils and Transformers		
L141	233457	NFIF-4081
L142	233458	NFIF-4082 <P/W/T/A>
L143,L144	233528	NMC-4110 <P/W/T/A>
L145,L146	231092	NCH-2140 <D>
L171	232174	NMRF-5077
L172	232139	NMIF-4062
Ceramic filters		
X101	3010071	SFE-10.7MA5 RED
X102	3010071	SFE-10.7MA5 RED <P/W/T/A>
X103	3010071	SFE-10.7MA5 RED <D>
X171	3010123	SFZ450JL
X103	3010130	SFE10.7MZZK <P/W/T/A>
Crystal		
X121	3010141	XTL-7.2M
Capacitors		
C002,C142	354741019	100 μ F,16V,Elect.
C126	374723334	0.033 μ F \pm 5%,50V,Plastic
C127,C143	354780229	2.2 μ F,50V,Elect.
C128	354741009	10 μ F,16V,Elect.
C129	354782299	0.22 μ F,50V,Elect.
C131	354721019	100 μ F,6.3V,Elect.
C144	354780479	4.7 μ F,50V,Elect.
C146	354780109	1 μ F,50V,Elect.
C147,C167	354784799	0.47 μ F,50V,Elect.
C148	354780109	1 μ F,50V,Elect.
C151	354780229	2.2 μ F,50V,Elect.
C153,C154	374722724	2700pF \pm 5%,50V,Plastic <P/T/W/A>
C155,C156	374721024	1000pF \pm 5%,50V,Plastic
C157,C158	374721024	1000pF \pm 5%,50V,Plastic <D>
C159,C160	354742209	22 μ F,16V,Elect.
C161,C162	374721824	1800pF \pm 5%,50V,Plastic <W>
C161,C162	374721524	1500pF \pm 5%,50V,Plastic <P/T/A>
C161,C162	374723324	3300pF \pm 5%,50V,Plastic <D>
C163,C164	354742209	22 μ F,16V,Elect.
C169	354744709	47 μ F,16V,Elect.
C170	374722234	0.022 μ F \pm 5%,50V,Plastic
C173	374724734	0.047 μ F \pm 5%,50V,Plastic
C177	354780339	3.3 μ F,50V,Elect.
C179	354742209	22 μ F,16V,Elect.
C193	354741009	10 μ F,16V,Elect.

CIRCUIT NO.	PART NO.	DESCRIPTION
Resistors		
R141,R167	5210263	N06HR20KBC,Trimming
Sockets		
P102	25051234	NSCT-9P1024
P103	25051526	NSCT-4P1313
Plug		
TP141	25055038	NPLG-2P29
Terminal		
P101	25060285	NTM-2PDML216
Shield plate		
TU001A	27150437A	

SELECTOR CIRCUIT PC BOARD(NAAF-6510-3A/3B/3C/3D)

CIRCUIT NO.	PART NO.	DESCRIPTION
ICs		
Q301	22240881	TC9273N-010
Q302.,Q3121	22240247 or	BA15218N or
Q3131,Q3161	22240293	NJM4558L-D
Q3231,Q3261	22240247 or	BA15218N or
Q3321,Q3521	22240293	NJM4558L-D
Capacitors		
C3121,C3122	374722244	0.22 μ F \pm 5%,50V,Plastic
C315,C316	354741009	10 μ F,16V,Elect.
C317,C318	354784709	47 μ F,50V,Elect.
C3221,C3222	374722244	0.22 μ F \pm 5%,50V,Plastic
C3321,C3322	374722244	0.22 μ F \pm 5%,50V,Plastic
C3421,C3422	374722244	0.22 μ F \pm 5%,50V,Plastic
C3521,C3522	374722244	0.22 μ F \pm 5%,50V,Plastic
C3621	374721034	0.01 μ F \pm 5%,50V,Plastic
C3622	374724734	0.047 μ F \pm 5%,50V,Plastic
C3623	374721244	0.12 μ F \pm 5%,50V,Plastic
C3624	374722234	0.022 μ F \pm 5%,50V,Plastic
C3625	374722244	0.22 μ F \pm 5%,50V,Plastic
Terminals		
P301,P302	25045571 or	NPJ-6PDRW386 or
	25045300	NPJ-6PDBL159
Sockets		
P303	25051529	NSCT-18P1316
P304	25051237	NSCT-12P1027
P305	25051234	NSCT-9P1024

REGULATOR PC BOARD (NAPS-6534-3A/3B/3C/3D)

CIRCUIT NO.	PART NO.	DESCRIPTION
Q3901	222780125	78M12HF, IC
Q3902	222790125	79M12HF, IC
Q3903	222780065	78M06HF, IC
C3904-C3906	354741009	10 μ F,16V,Elect.capacitor
JL3901B	25050270	NSCT-6P98,Socket
JL3902B	25050267	NSCT-3P95,Socket

NOTE: <D>: 120V model only
 <P>: European model only
 <T>: Asian model only
 <W>: Worldwide model only
 <A>: Australian model only

ADJUSTMENT PROCEDURES

Preparation

1. Input

FM mono: 1kHz, 75kHz devi., 60dB/μV

FM stereo: 1kHz, 75kHz devi., 60dB/μV

Pilot signal 19kHz 7.5kHz devi.

AM: 400Hz, 30% mod.

2. Outputs

Connect the non-inductive type resistor of 8 ohms to the all speaker terminals unless otherwise noted.

FM

Item	Step	Connection of instrument	FM SG output	Stereo modulator output	Tuning frequency	Output indicator	Adjustment point	Adjust for	Remarks
FM IF/RF	1	Fig. 1	99.0MHz 1kHz 75kHz devi. 65dBf (60dB)	—	99.0MHz	DC voltmeter	L141	0±20mV	FM MUTE/MODE switch: ON/STEREO Repeat the steps 1 and 3 until no further adjustment is necessary.
	AC voltmeter					IFT on the front end	Maximum		
	Distortion analyzer					L142	Minimum		
Stereo Distortion		Fig. 2	99.0MHz Ext. mod. 65dBf (60dB)	Channel L or R 1kHz	99.0MHz	Distortion analyzer	IFT on the front end	Minimum	Don't turn more than ±180°.
Stereo Separation	1	Fig. 2	99.0MHz Ext. mod. 65dBf (60dB)	Channel L 1kHz	99.0MHz	Channel R AC voltmeter	R167	Minimum	Maximum and same separation
	2			Channel R 1kHz		Channel L AC voltmeter		Minimum	
Muting Level		Fig. 3	99.0MHz 19.2dBf (14dB)	—	99.0MHz	Oscilloscope or TUNED indicator	R141	Signal output or light on	

AM

120V model

Step	AM SG output	Tuning Frequency	Output Indicator	Adjustment point	Adjust for
1		530kHz	Digital DC voltmeter	OSC coil on RF block L171	1.4±0.2V
2	600kHz 400Hz 30% mod. 60dB/m	600kHz	AC voltmeter	RF coil on RF block L171	Maximum
3	999kHz 400Hz 30% mod. 60dB/m	990kHz	AC voltmeter	L172	Maximum

Reference Specification

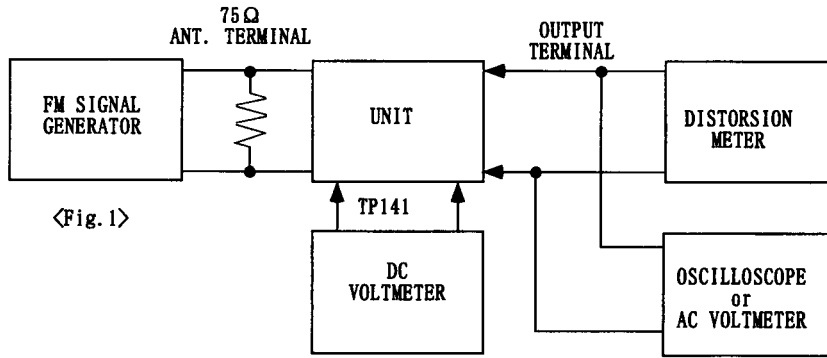
FM tuned voltage: 87.5MHz~108.0MHz
More than 1.3V~Less than 9.0V
AM tuned voltage: 530kHz~1710kHz
1.4±0.5V~Less than 9.

230V and worldwide models

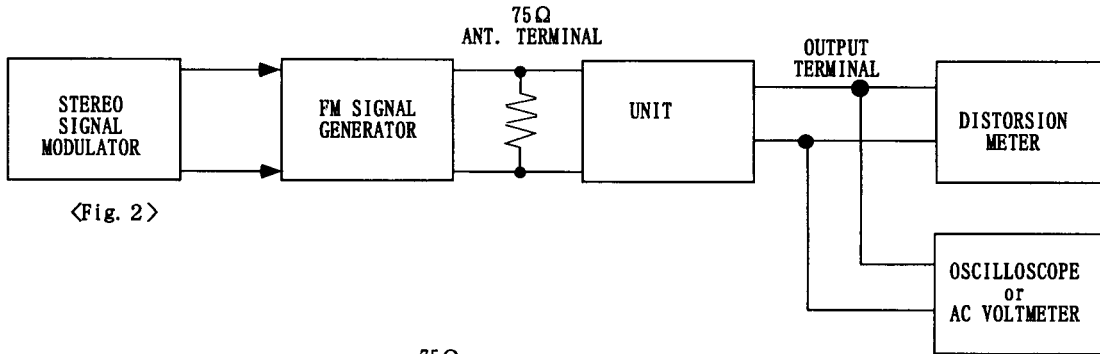
Step	AM SG output	Tuning Frequency	Output Indicator	Adjustment point	Adjust for
1		522kHz or 531kHz	Digital DC voltmeter	OSC coil on RF block L171	1.4±0.2V
2	603kHz 400Hz 30% mod. 60dB/m	603kHz	AC voltmeter	RF coil on RF block L171	Maximum
3	999kHz 400Hz 30% mod. 60dB/m	999kHz	AC voltmeter	L172	Maximum

Reference Specification

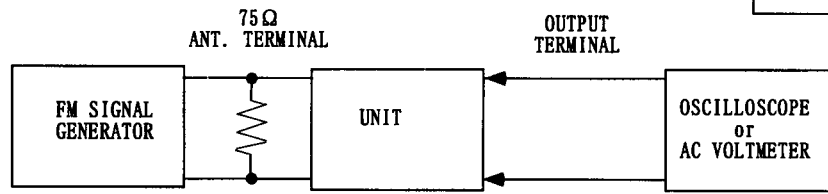
FM tuned voltage: 87.5MHz~108.0MHz
more than 1.3V ~Less than 9V
AM tuned voltage: 522kHz~1611kHz
1.4±0.2V~Less than 9.0V
(230V model)
AM tuned voltage: 531kHz~1602kHz
1.4±0.2V~Less than 9.0V
(Worldwide model)



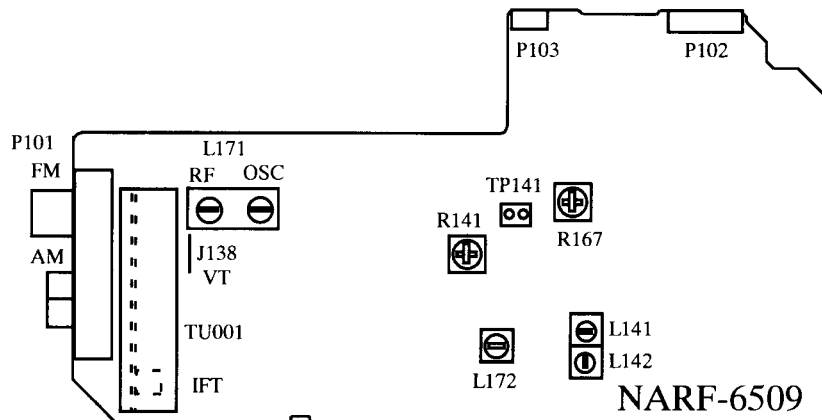
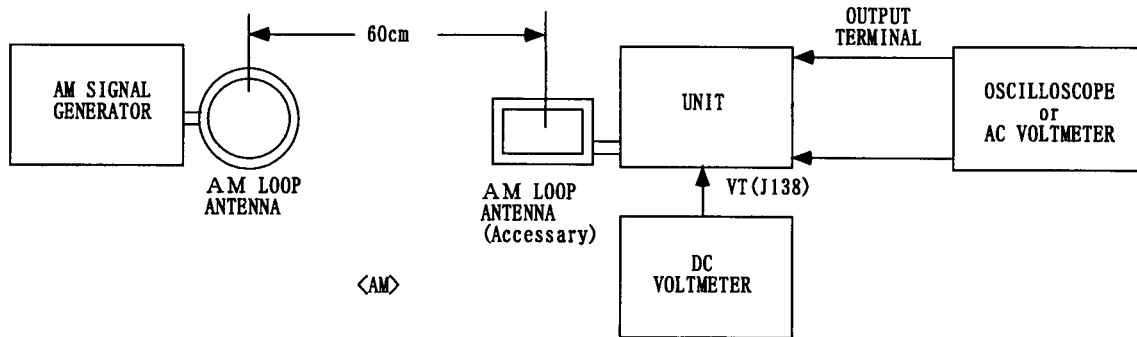
<Fig. 1>



<Fig. 2>



<Fig. 3>



Idling current adjustment

Before Idling adjustment, turn the trimming resistors R573, R574, R673, R674 and R1532 to counter clockwise.

Connect the DC voltmeter to sockets P511, P512, P611, P612 and P1511.

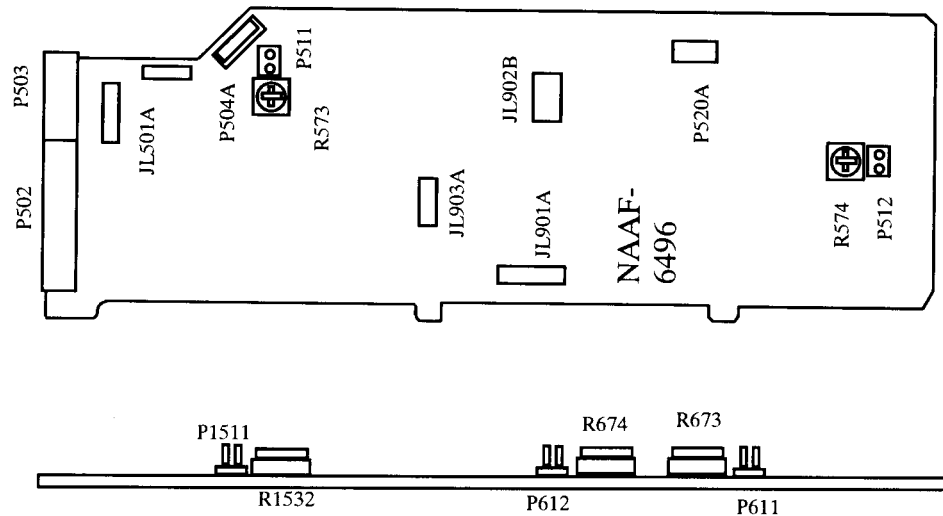
After turn POWER to ON, adjust the trimming resistors R573, R574, R673, R674 and R1532 so that the reading of voltmeter becomes $2.5 \pm 0.2\text{mV}$.

After adjustment, attach the top cover.

Confirm the voltage of above points after five minutes.

Readjust the above resistors so that the voltage becomes $6.5 \pm 0.2\text{mV}$.

Note: No load and No signal



NAAF-6495

Confirmation of protection circuit

1. Confirmation of operation of speaker relay

Confirm that the speaker relay turns ON approximate. 5 seconds after the power switch is turned ON.

Confirm that the speaker relay turns OFF immediately after the power switch is turned OFF.

2. Confirmation of DC detection circuit

Press and hold down CD button, then press SPEAKERS-MAIN and SPEAKERS-REMOTE buttons at the same time.

During "TEST-" on the FL tube is displayed, press DVD button. Next, press CD button.

Apply DC 1.5~3V to MULTI CHANNEL INPUT terminals with no load.

Confirm that the speaker relay turns OFF.

Apply DC -1.5~-3V to MULTI CHANNEL INPUT terminals with no load.

Confirm that the speaker relay turns OFF.

3. Confirmation of Current detection circuit

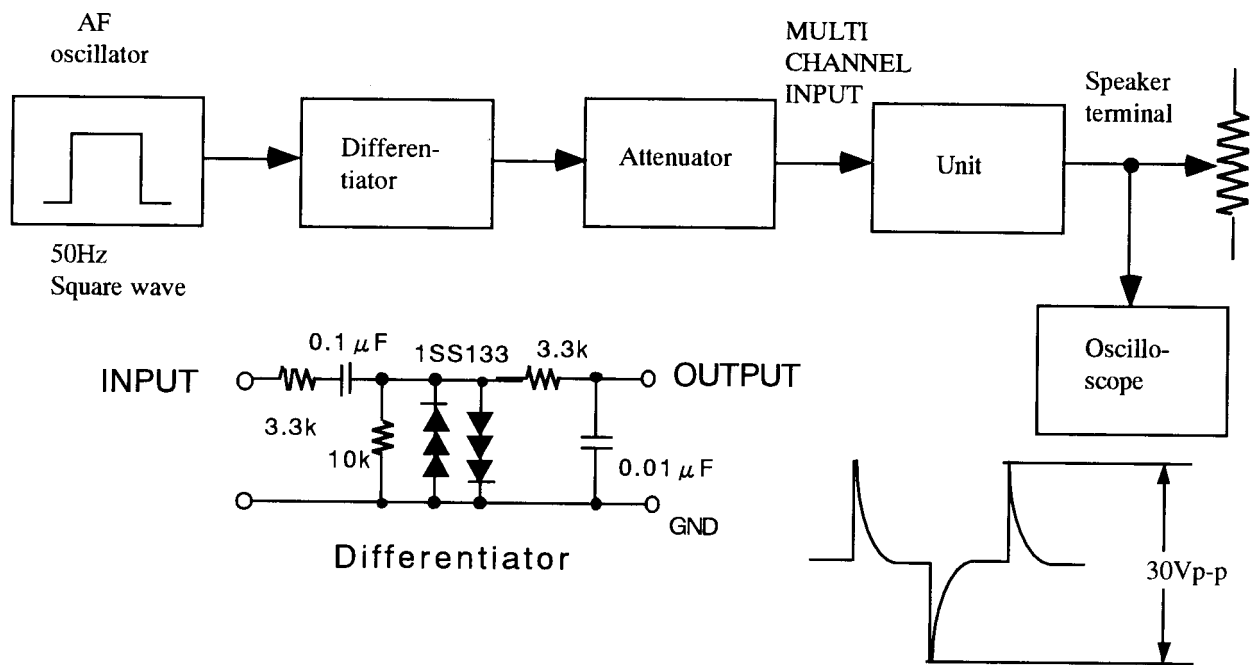
Press and hold down CD button, then press SPEAKERS-MAIN and SPEAKERS-REMOTE buttons at the same time.

During "TEST-" on the FL tube is displayed, press DVD button.

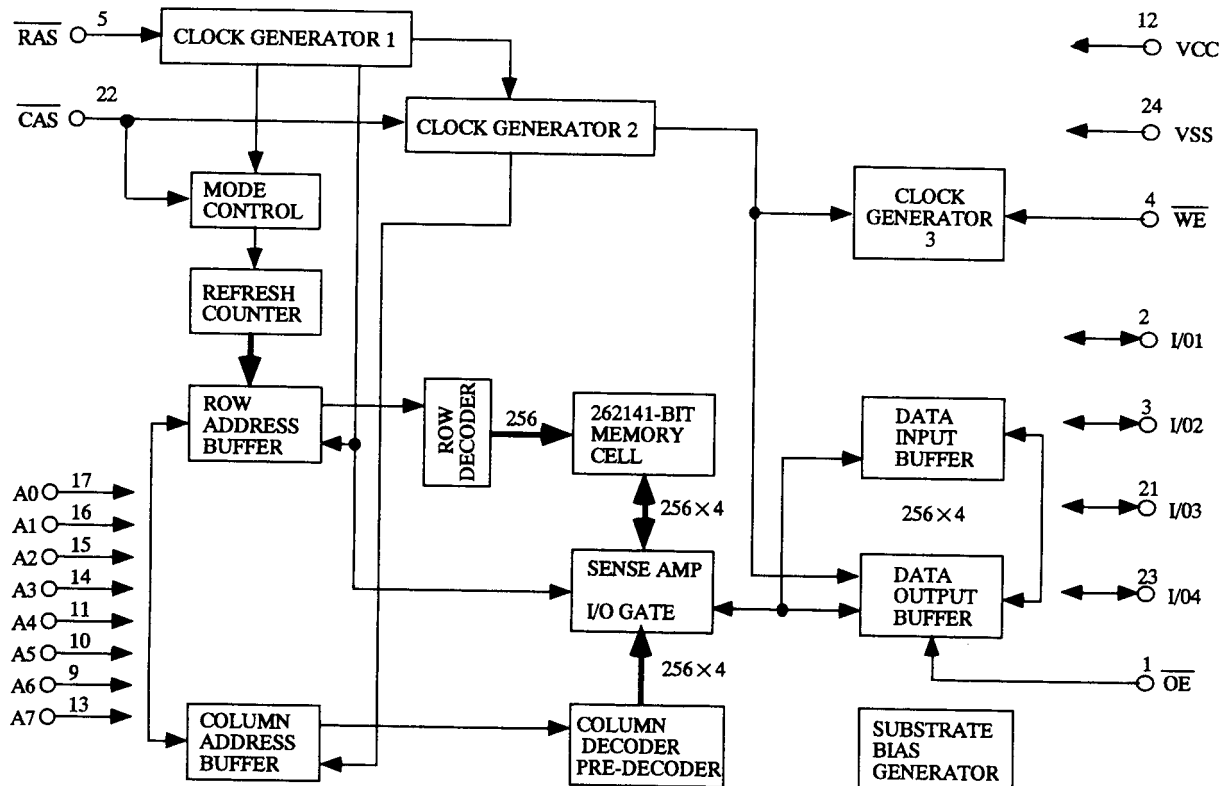
Connect Differentiator below and apply the 50Hz square signal to the terminal of MULTI CHANNEL INPUT.

Adjust the attenuator or Volume so that the output level becomes 30V p-p.

Confirm that the speaker relay turns OFF when a 1.5 ohm load is connected.

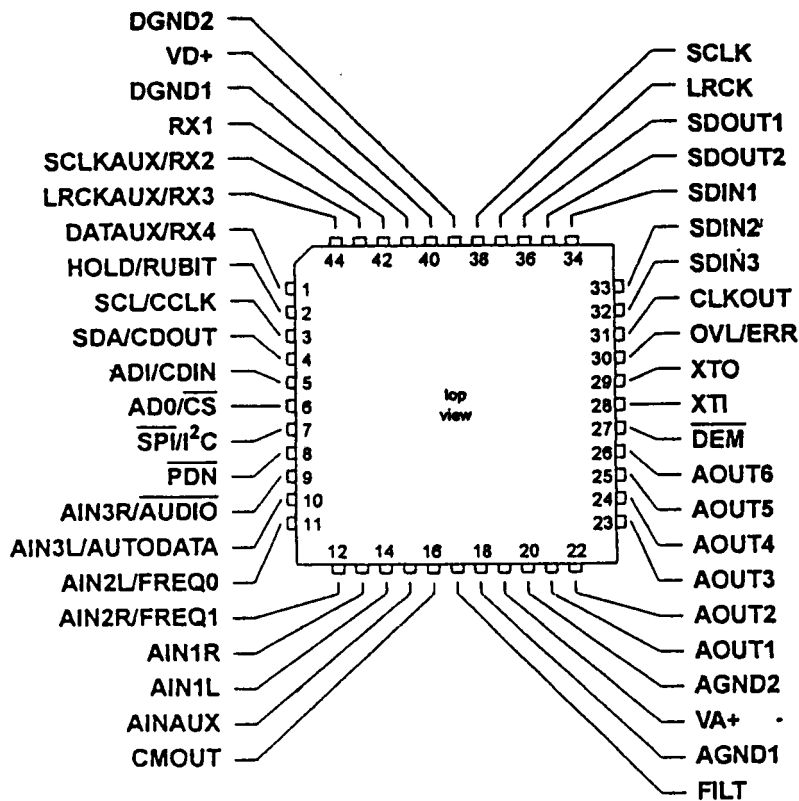


IC BLOCK DIAGRAM LC32464M-80 (RAM)



IC BLOCK DIAGRAM

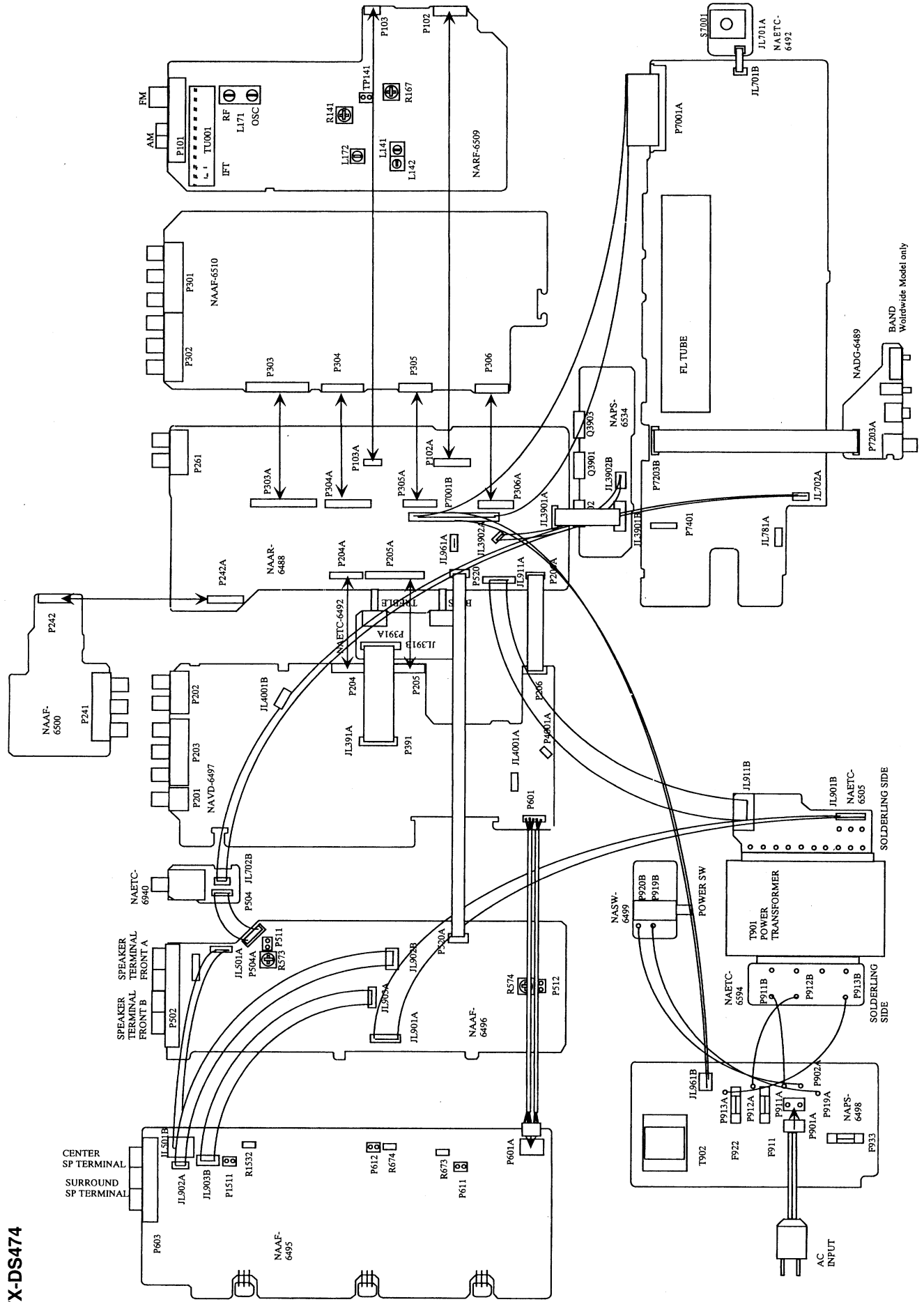
CS4226 (Codec)



Pin No.	Symbol	I/O	Description
1	DATAAUX/RX4	I	Auxiliary data input / receiver channel 4
2	HOLD/RUBIT	I/O	S/PDIF receiver user bit / HOLD control
3	SCL/CCLK	I/O	Serial control interface clock
4	SDA/CDOUT	O	Serial control data out
5	ADI/CDIN	I	Address bit / serial control data in
6	AD0/CS	O	Address bit / control post chip select
7	SPI/I ² C	I/O	Control post format
8	PDN		Power down pin
9	AIN3R/AUDIO	I	Right channel multiplexer input 3/AC3 and MPEG detect output
10	AIN3R/AUTODATA	I	Right channel multiplexer input 3/AC3 and MPEG detect output
11	AIN2L/FREQ0	I	Left channel multiplexer input 2/channel status freq.bit
12	AIN2R/FREQ1	I	Right channel multiplexer input 2/channel status freq.bit
13	AIN1R	I	Right channel multiplexer input 1
14	AIN1L	I	Left channel multiplexer input 1
15	AINAUX	I	Auxiliary line level input(non A/D converter)
16	CMOUT	O	Common mode output
17	FILT		PLL loop filter pin
18	AGND1	-	Analog ground
19	VA+	-	Analog power input
20	AGND2		Analog ground
21	AOUT1	O	The analog outputs from the 6 D/A converters.
22	AOUT2	O	The analog outputs from the 6 D/A converters.

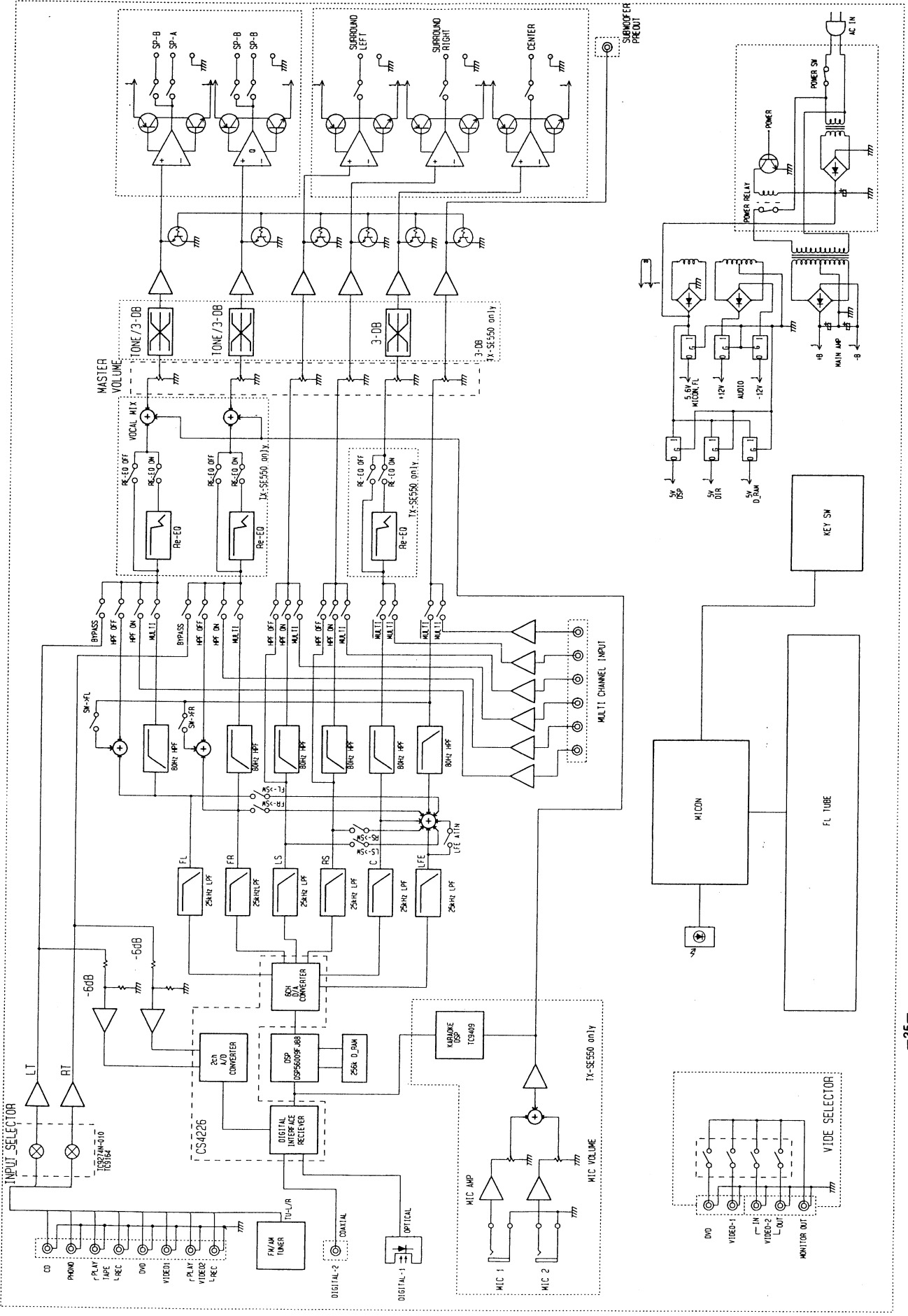
Pin No.	Symbol	I/O	Description
23	AOUT3	O	The analog outputs from the 6 D/A converters.
24	AOUT4	O	The analog outputs from the 6 D/A converters.
25	AOUT5	O	The analog outputs from the 6 D/A converters.
26	AOUT6	O	The analog outputs from the 6 D/A converters.
27	DEM	O	De-emphasis control
28	XTI	-	Crystal connections
29	XTO	-	Crystal connections
30	OVL/ERR	O	Overload indicator
31	CLKOUT	O	Master clock output
32	SDIN3	I	Serial data input 3
33	SDIN2	I	Serial data input 2
34	SDIN1	I	Serial data input 1
35	SDOUT2	O	Serial data output 2
36	SDOUT1	O	Serial data output 1
37	LRCK	I/O	Left/Right select signal I/O
38	SCLK	I/O	DSP serial port clock I/O
39	DGND2	-	Digital ground
40	VD+	-	Digital power input(+5V)
41	DGND1	-	Digital ground
42	RX1		Receiver channel 1
43	SCLKAUX/RX2	I/O	Auxiliary bit clock input or output / receiver channel 2
44	LRCKAUX/RX3	I/O	Auxiliary word clock input or output / receiver channel 3

WIRING VIEW MODEL TX-DS474



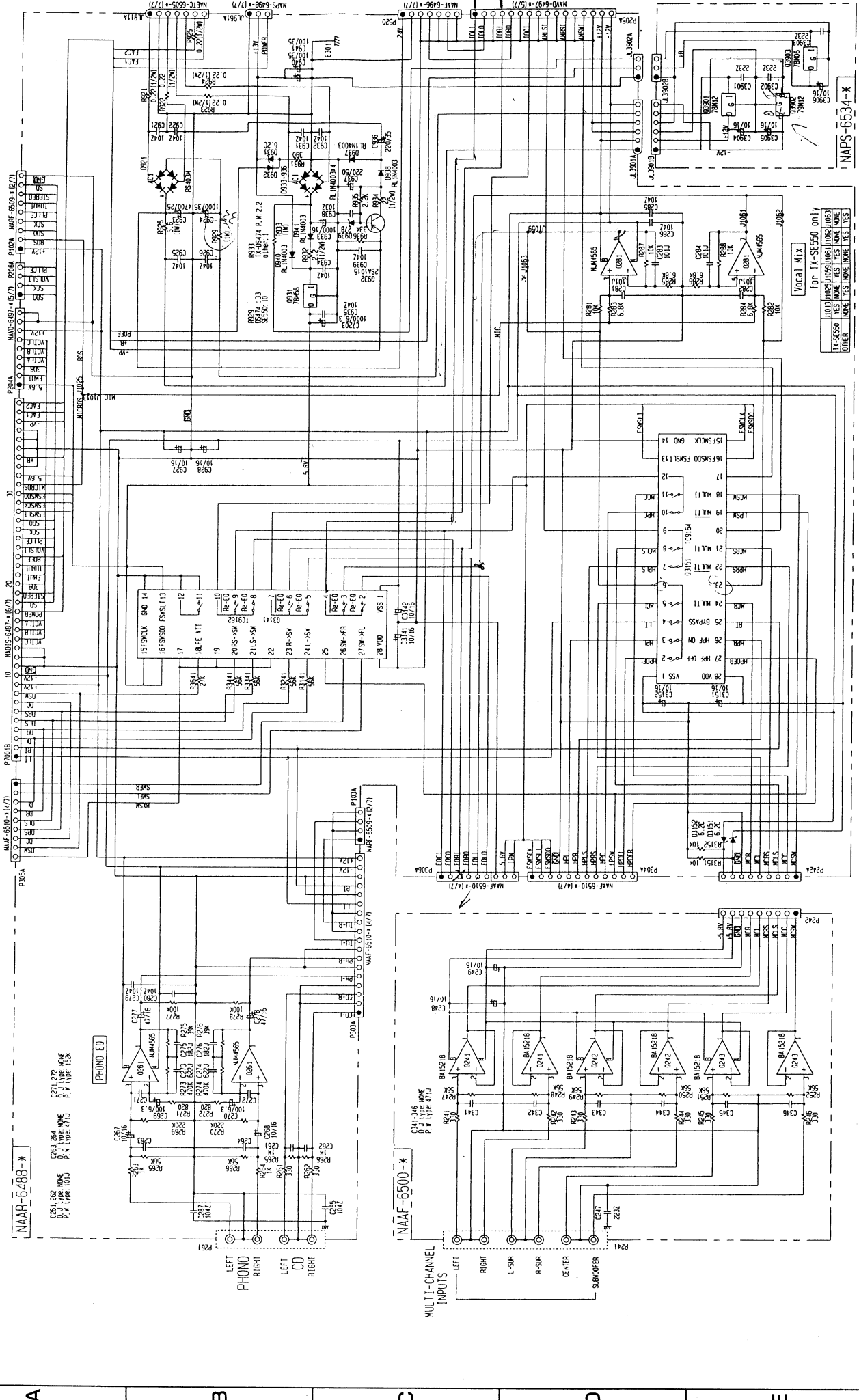
A B C D E F G H

BLOCK DIAGRAM



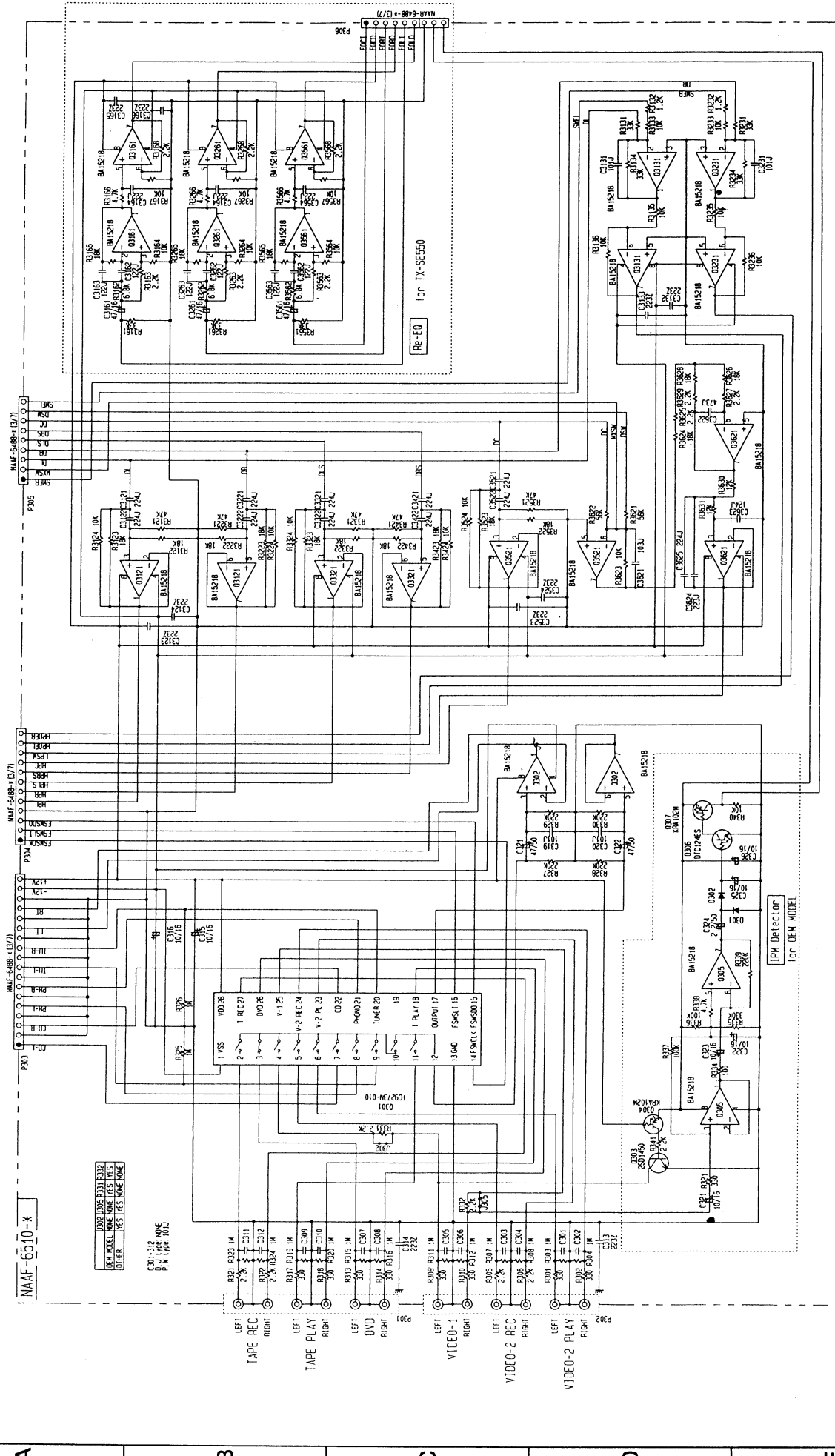
A B C D E F G H

SCHEMATIC DIAGRAM



A B C D E F G H

SCHEMATIC DIAGRAM



NAAAF-6510-K
 1-SS V00.78
 2- REC 27
 3- 000.26
 4- V-1.25
 5- V-2 REC 24
 6- V-2 P. 23
 7- 0.22
 8- MONO 21
 9- 10K R 20
 10- 19
 11- 0.1 P. 17
 12- 11.640 FSxS.1.16
 14- FSxS.1.16
 15- 15K R 15
 16- 10K R 14
 17- 10K R 13
 18- 10K R 12
 19- 10K R 11
 20- 10K R 10
 21- 10K R 9
 22- 10K R 8
 23- 10K R 7
 24- 10K R 6
 25- 10K R 5
 26- 10K R 4
 27- 10K R 3
 28- 10K R 2
 29- 10K R 1
 30- 10K R 0

LEFT REC 1M
 RIGHT REC 1M
 LEFT PLAY 1M
 RIGHT PLAY 1M
 LEFT DVD 1M
 RIGHT DVD 1M
 LEFT VIDEO-1 1M
 RIGHT VIDEO-1 1M
 LEFT VIDEO-2 REC 1M
 RIGHT VIDEO-2 REC 1M
 LEFT VIDEO-2 PLAY 1M
 RIGHT VIDEO-2 PLAY 1M

LEFT TAPE REC 1M
 RIGHT TAPE REC 1M
 LEFT TAPE PLAY 1M
 RIGHT TAPE PLAY 1M
 LEFT DVD 1M
 RIGHT DVD 1M
 LEFT VIDEO-1 1M
 RIGHT VIDEO-1 1M
 LEFT VIDEO-2 REC 1M
 RIGHT VIDEO-2 REC 1M
 LEFT VIDEO-2 PLAY 1M
 RIGHT VIDEO-2 PLAY 1M

LEFT TAPE REC 1M
 RIGHT TAPE REC 1M
 LEFT TAPE PLAY 1M
 RIGHT TAPE PLAY 1M
 LEFT DVD 1M
 RIGHT DVD 1M
 LEFT VIDEO-1 1M
 RIGHT VIDEO-1 1M
 LEFT VIDEO-2 REC 1M
 RIGHT VIDEO-2 REC 1M
 LEFT VIDEO-2 PLAY 1M
 RIGHT VIDEO-2 PLAY 1M

LEFT TAPE REC 1M
 RIGHT TAPE REC 1M
 LEFT TAPE PLAY 1M
 RIGHT TAPE PLAY 1M
 LEFT DVD 1M
 RIGHT DVD 1M
 LEFT VIDEO-1 1M
 RIGHT VIDEO-1 1M
 LEFT VIDEO-2 REC 1M
 RIGHT VIDEO-2 REC 1M
 LEFT VIDEO-2 PLAY 1M
 RIGHT VIDEO-2 PLAY 1M

LEFT TAPE REC 1M
 RIGHT TAPE REC 1M
 LEFT TAPE PLAY 1M
 RIGHT TAPE PLAY 1M
 LEFT DVD 1M
 RIGHT DVD 1M
 LEFT VIDEO-1 1M
 RIGHT VIDEO-1 1M
 LEFT VIDEO-2 REC 1M
 RIGHT VIDEO-2 REC 1M
 LEFT VIDEO-2 PLAY 1M
 RIGHT VIDEO-2 PLAY 1M

LEFT TAPE REC 1M
 RIGHT TAPE REC 1M
 LEFT TAPE PLAY 1M
 RIGHT TAPE PLAY 1M
 LEFT DVD 1M
 RIGHT DVD 1M
 LEFT VIDEO-1 1M
 RIGHT VIDEO-1 1M
 LEFT VIDEO-2 REC 1M
 RIGHT VIDEO-2 REC 1M
 LEFT VIDEO-2 PLAY 1M
 RIGHT VIDEO-2 PLAY 1M

LEFT TAPE REC 1M
 RIGHT TAPE REC 1M
 LEFT TAPE PLAY 1M
 RIGHT TAPE PLAY 1M
 LEFT DVD 1M
 RIGHT DVD 1M
 LEFT VIDEO-1 1M
 RIGHT VIDEO-1 1M
 LEFT VIDEO-2 REC 1M
 RIGHT VIDEO-2 REC 1M
 LEFT VIDEO-2 PLAY 1M
 RIGHT VIDEO-2 PLAY 1M

LEFT TAPE REC 1M
 RIGHT TAPE REC 1M
 LEFT TAPE PLAY 1M
 RIGHT TAPE PLAY 1M
 LEFT DVD 1M
 RIGHT DVD 1M
 LEFT VIDEO-1 1M
 RIGHT VIDEO-1 1M
 LEFT VIDEO-2 REC 1M
 RIGHT VIDEO-2 REC 1M
 LEFT VIDEO-2 PLAY 1M
 RIGHT VIDEO-2 PLAY 1M

LEFT TAPE REC 1M
 RIGHT TAPE REC 1M
 LEFT TAPE PLAY 1M
 RIGHT TAPE PLAY 1M
 LEFT DVD 1M
 RIGHT DVD 1M
 LEFT VIDEO-1 1M
 RIGHT VIDEO-1 1M
 LEFT VIDEO-2 REC 1M
 RIGHT VIDEO-2 REC 1M
 LEFT VIDEO-2 PLAY 1M
 RIGHT VIDEO-2 PLAY 1M

LEFT TAPE REC 1M
 RIGHT TAPE REC 1M
 LEFT TAPE PLAY 1M
 RIGHT TAPE PLAY 1M
 LEFT DVD 1M
 RIGHT DVD 1M
 LEFT VIDEO-1 1M
 RIGHT VIDEO-1 1M
 LEFT VIDEO-2 REC 1M
 RIGHT VIDEO-2 REC 1M
 LEFT VIDEO-2 PLAY 1M
 RIGHT VIDEO-2 PLAY 1M

LEFT TAPE REC 1M
 RIGHT TAPE REC 1M
 LEFT TAPE PLAY 1M
 RIGHT TAPE PLAY 1M
 LEFT DVD 1M
 RIGHT DVD 1M
 LEFT VIDEO-1 1M
 RIGHT VIDEO-1 1M
 LEFT VIDEO-2 REC 1M
 RIGHT VIDEO-2 REC 1M
 LEFT VIDEO-2 PLAY 1M
 RIGHT VIDEO-2 PLAY 1M

LEFT TAPE REC 1M
 RIGHT TAPE REC 1M
 LEFT TAPE PLAY 1M
 RIGHT TAPE PLAY 1M
 LEFT DVD 1M
 RIGHT DVD 1M
 LEFT VIDEO-1 1M
 RIGHT VIDEO-1 1M
 LEFT VIDEO-2 REC 1M
 RIGHT VIDEO-2 REC 1M
 LEFT VIDEO-2 PLAY 1M
 RIGHT VIDEO-2 PLAY 1M

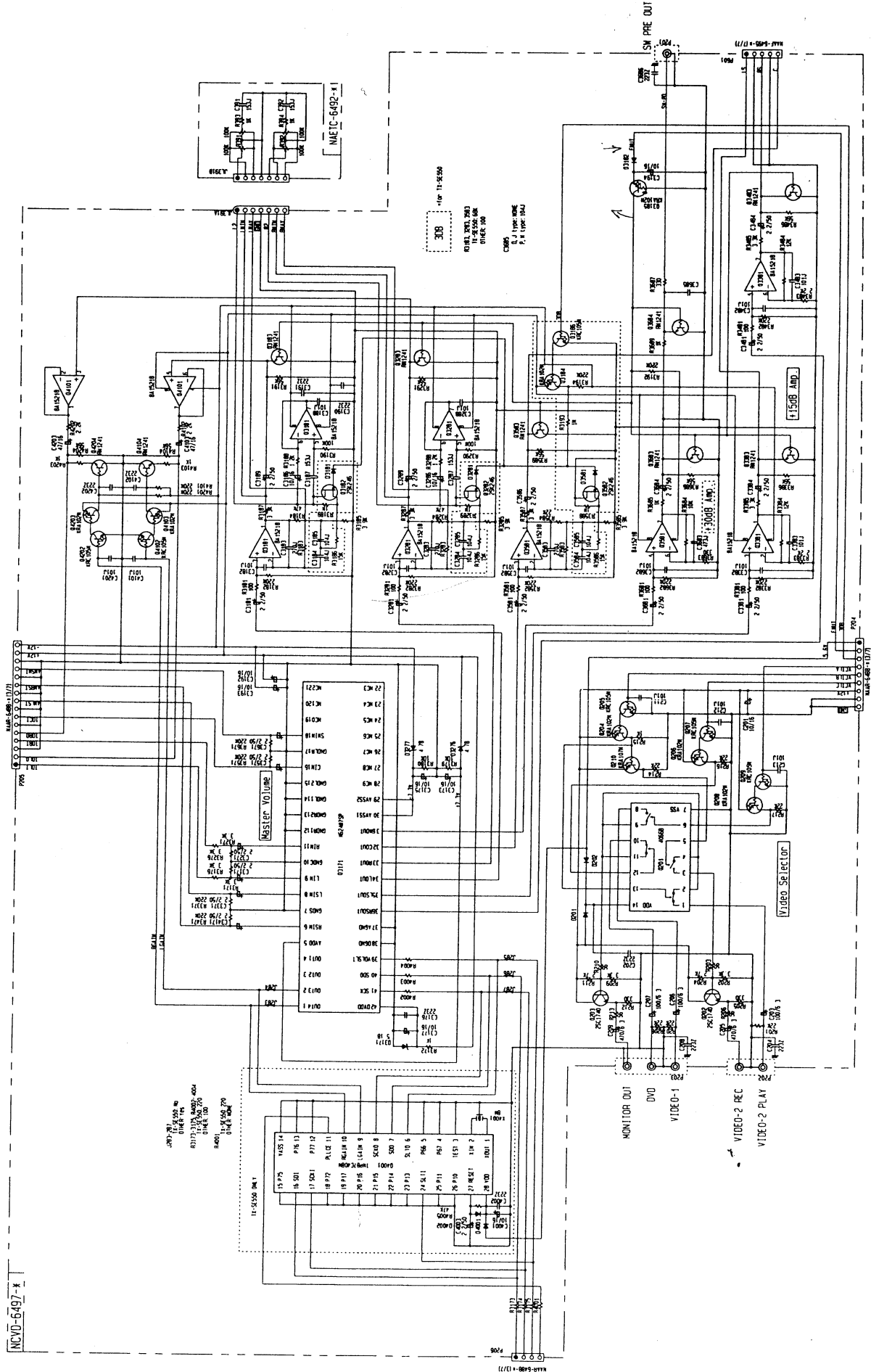
LEFT TAPE REC 1M
 RIGHT TAPE REC 1M
 LEFT TAPE PLAY 1M
 RIGHT TAPE PLAY 1M
 LEFT DVD 1M
 RIGHT DVD 1M
 LEFT VIDEO-1 1M
 RIGHT VIDEO-1 1M
 LEFT VIDEO-2 REC 1M
 RIGHT VIDEO-2 REC 1M
 LEFT VIDEO-2 PLAY 1M
 RIGHT VIDEO-2 PLAY 1M

LEFT TAPE REC 1M
 RIGHT TAPE REC 1M
 LEFT TAPE PLAY 1M
 RIGHT TAPE PLAY 1M
 LEFT DVD 1M
 RIGHT DVD 1M
 LEFT VIDEO-1 1M
 RIGHT VIDEO-1 1M
 LEFT VIDEO-2 REC 1M
 RIGHT VIDEO-2 REC 1M
 LEFT VIDEO-2 PLAY 1M
 RIGHT VIDEO-2 PLAY 1M

LEFT TAPE REC 1M
 RIGHT TAPE REC 1M
 LEFT TAPE PLAY 1M
 RIGHT TAPE PLAY 1M
 LEFT DVD 1M
 RIGHT DVD 1M
 LEFT VIDEO-1 1M
 RIGHT VIDEO-1 1M
 LEFT VIDEO-2 REC 1M
 RIGHT VIDEO-2 REC 1M
 LEFT VIDEO-2 PLAY 1M
 RIGHT VIDEO-2 PLAY 1M

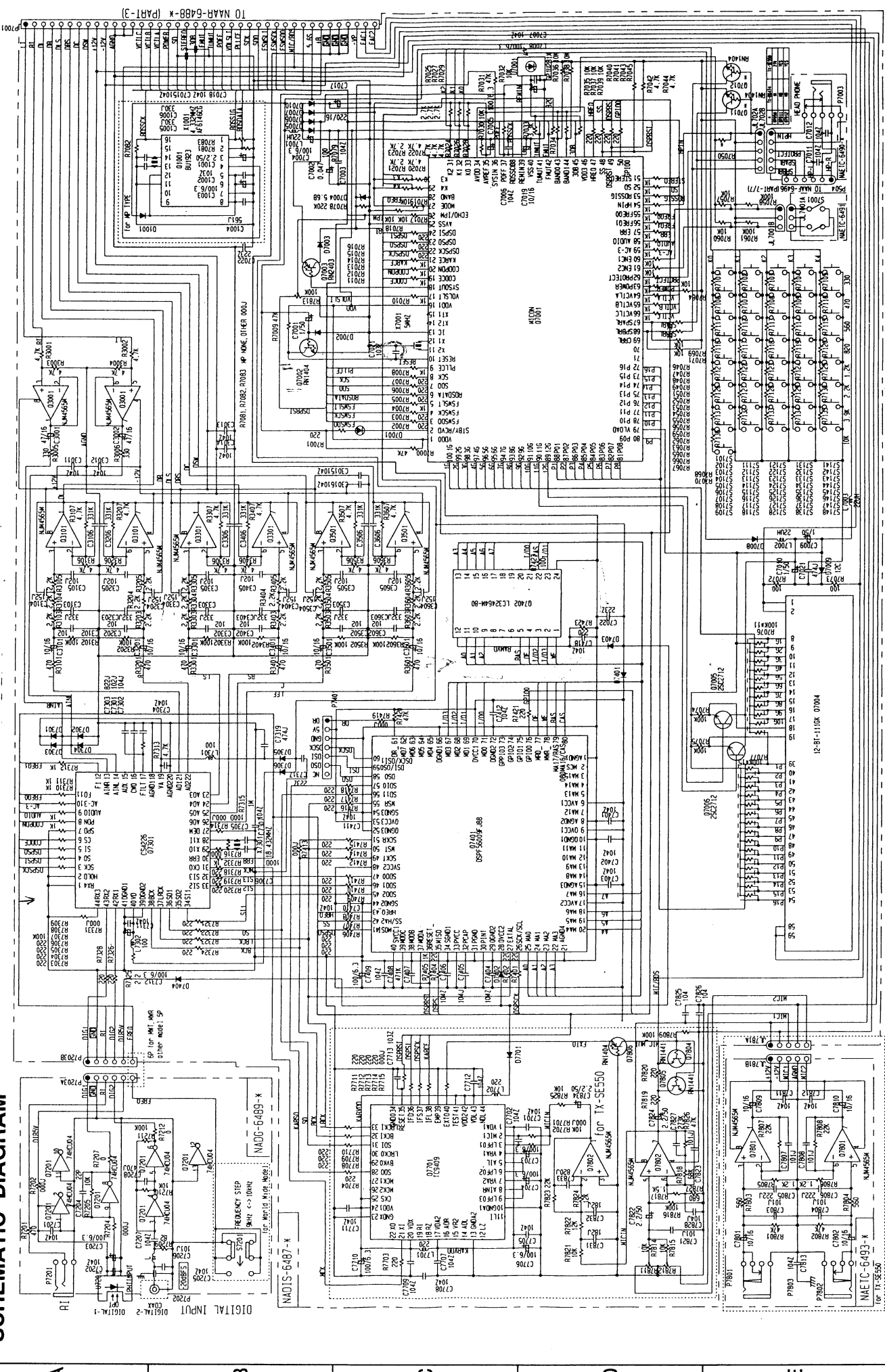
A B C D E F G H

SCHEMATIC DIAGRAM



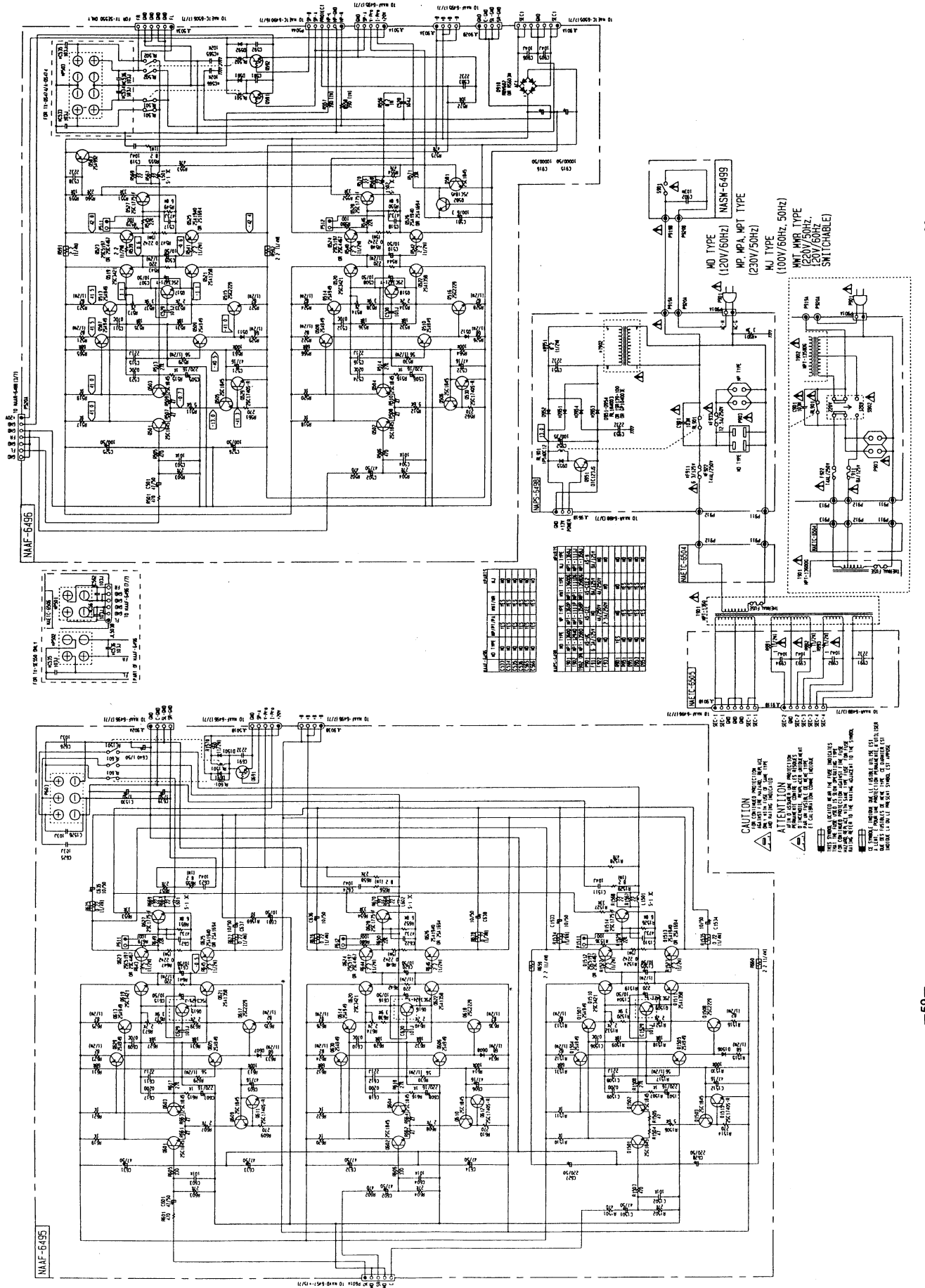
A B C D E F G H

SCHEMATIC DIAGRAM

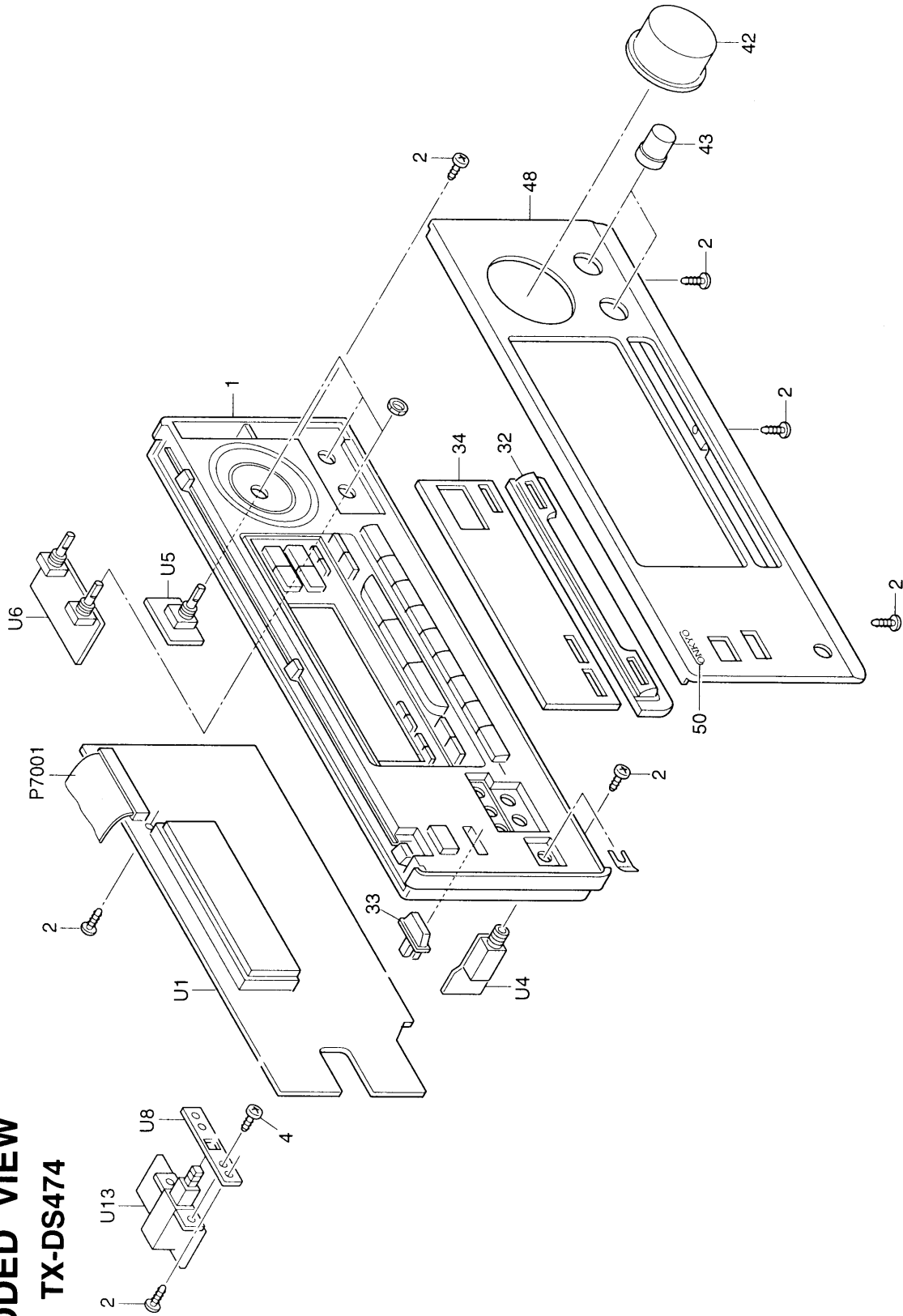


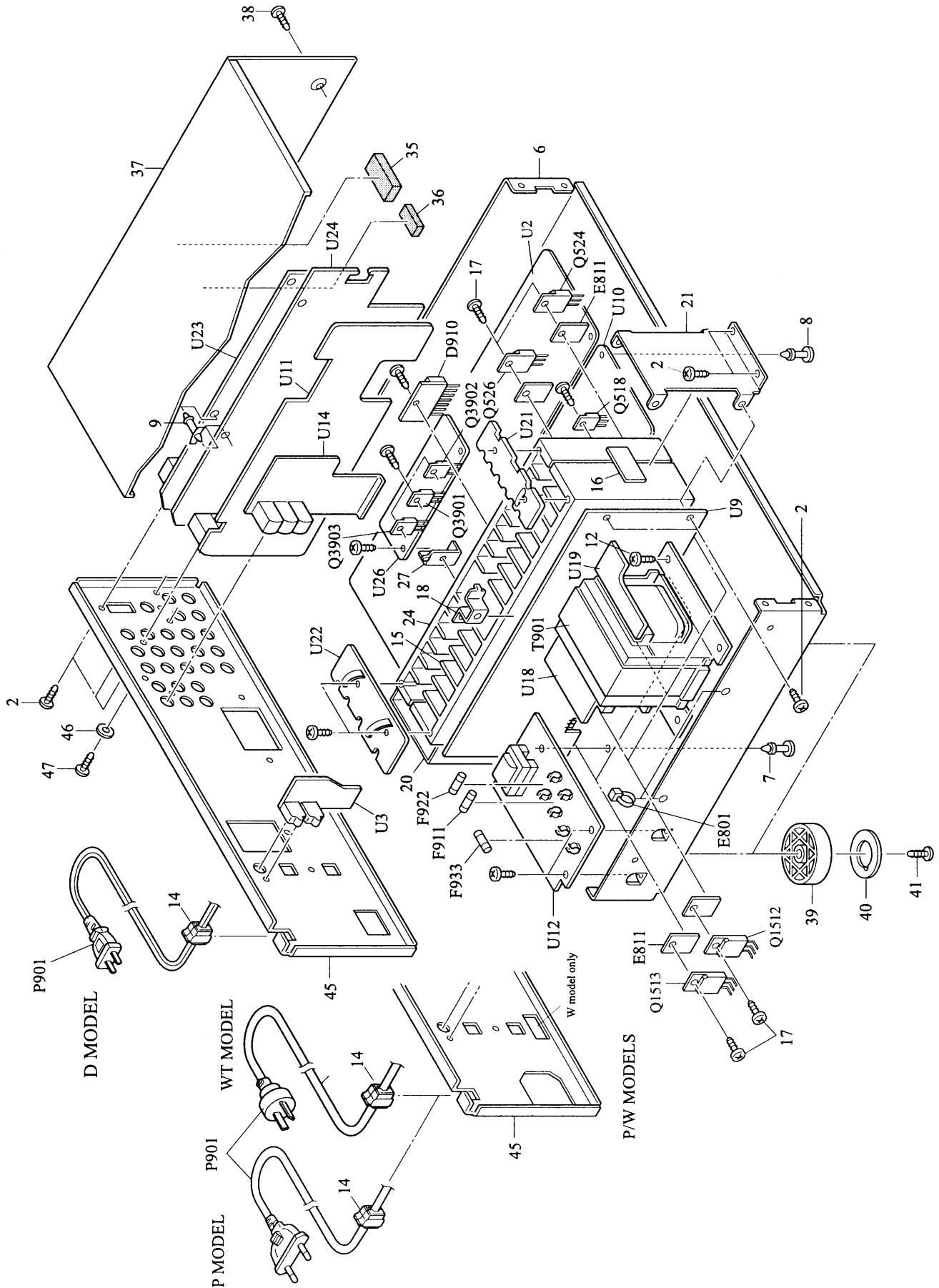
A B C D E F G H

SCHEMATIC DIAGRAM



**EXPLODED VIEW
MODEL TX-DS474**





PARTS LIST

REF. NO.	PART NO.	DESCRIPTION	DESCRIPTION	REF. NO.	PART NO.	DESCRIPTION	NOTE:
1	27111102A	Front bracket 	Front bracket <D>	44	27122562	Rear panel <D>	: Black model only
	27111106A	Front bracket <G>	Front panel <P>		27122563	Rear panel <P>	<S>: Silver model only
	27111107A	Front bracket <S>	Front panel <I>		27122564	Rear panel <I>	<G>: Golden model only
2	838130088	3TTB+8B, Self-tapping screw	3TTB+8B, Self-tapping screw		27122565	Rear panel <WT>	<D>: 120V model only
4	82143010	3P+10FN(BC), Pan head screw	3P+10FN(BC), Pan head screw		27122566	Rear panel <WR>	<P>: European model only
6	27100368B	Chassis	Chassis		27122567	Rear panel <WR>	<W>: Worldwide model only
7	27190266	KGLS-12RF, Holder	KGLS-12RF, Holder	46	87643010	W3*10F(BC), Flat washer	<I>: Asian model only
8	27190428A	KGLS-10RF, Holder	KGLS-10RF, Holder	47	838930088	3TTB+8B(UN), Self-tapping screw	<WR>: Chinese model only
9	27190896	KGLS-10S, Holder	KGLS-10S, Holder	48	27212081A	Front panel, black <D/T/WT/WR/A>	<WT>: Taiwanese model only
12	830440089	4TTC+8C(BC), Self-tapping screw	4TTC+8C(BC), Self-tapping screw		27212082A	Front panel, black <P>	<A>: Australian model only
14	27300750	Bushing, cord	Bushing, cord		27212083A	Front panel <G>	
15	27160435	Heat sink L	Heat sink L		27212085A	Front panel <S>	
16	29110083	Adhesive tape	Adhesive tape	50	28135244	Badge 	
17	801433	3SMS8W.SW+14B(BC), Special screw	3SMS8W.SW+14B(BC), Special screw		28135245	Badge <G/S>	
18	27141681	Retainer PWB	Retainer PWB	D910	22380038 or	RBV602 or	
20	27141735	Retainer, Rear	Retainer, Rear		22380274	RS603M, Diode	
21	27141734	Retainer, Front	Retainer, Front	E801	260208	Wire tie	
24	27160436A	Heat sink S	Heat sink S	E811	223024	AC238, Isolated sheet	
27	27141729	Retainer S	Retainer S	F911	252166	6.3A-UL/T-237, Fuse <D>	
29	29110083	Adhesive tape	Adhesive tape		252198	8A-UL, Fuse <W>	
32	27215316	Decorative frame 	Decorative frame 	F922	252077 or	4A-SE-EAK or	
	27215317	Decorative frame <G>	Decorative frame <G>		252243	4A-SE-EAK, Fuse <P/W/T/A>	
	27215318	Decorative frame <S>	Decorative frame <S>	F933	252075 or	2.5A-SE-EAK or	
33	28325497A	Knob, Power 	Knob, Power 		252241	2.5A-SE-EAK, Fuse <P/T>	
	28325499A	Knob, Power <G>	Knob, Power <G>	P7001	← 2047402512	NCFC7-402512, Flexible flat cable	
	28325547A	Knob, Power <S>	Knob, Power <S>	P901	253193HIT	AS-CEE, Power supply cord <P/T>	
34	28191844	Clear plate 	Clear plate 		253197HIT	AS-SAA, Power supply cord <A>	
	28191845	Clear plate <S/G>	Clear plate <S/G>		253233KAW	AS-CEE-2, Power supply cord <WT>	
35	28141272	10x60x20, Cushion	10x60x20, Cushion		253267KAW	AS-CCEE, Power supply cord <WR>	
36	28140926	t 10x25x10, Cushion	t 10x25x10, Cushion		253279HIT	AS-UC-2#18, Power supply cord <D>	
37	28184663	Top cover 	Top cover 	Q1512	2202253,	2SC4467-O,	
	28184666	Top cover <S>	Top cover <S>	Q523, Q524	2202254,	2SC4467-Y,	
	28184682	Top cover <G>	Top cover <G>	Q623, Q624	2202256,	2SC4467-P,	
38	838430088	3TTB+8B(BC), Self-tapping screw 	3TTB+8B(BC), Self-tapping screw 		2203042 or	2SC5197-R or	
	838230088	3TTB+8B(NI), Nickel screw <G/S>	3TTB+8B(NI), Nickel screw <G/S>		2203043	2SC5197-O, Transistor	
39	27175319A	Leg	Leg	Q1513	2202243,	2SA1694-O,	
40	28141332	Cushion for leg	Cushion for leg	Q525, Q526	2202244,	2SA1694-Y,	
41	831430088	3TTW+8B(BC), Self-tapping screw	3TTW+8B(BC), Self-tapping screw	Q625, Q626	2202246,	2SA1694-P,	
42	28325641	Knob, Volume 	Knob, Volume 		2203032 or	2SA1940-R or	
	28325642	Knob, Volume <S>	Knob, Volume <S>		2203033	2SA1940-O, Transistor	
	28325643	Knob, Volume <G>	Knob, Volume <G>	Q3901	222780125	78M12HF, IC	
43	28325405	Knob, Tone 	Knob, Tone 	Q3902	222790125	79M12HF, IC	
	28325407	Knob, Tone <G>	Knob, Tone <G>	Q3903	222780065	78M06HF, IC	
	28325474	Knob, Tone <S>	Knob, Tone <S>				

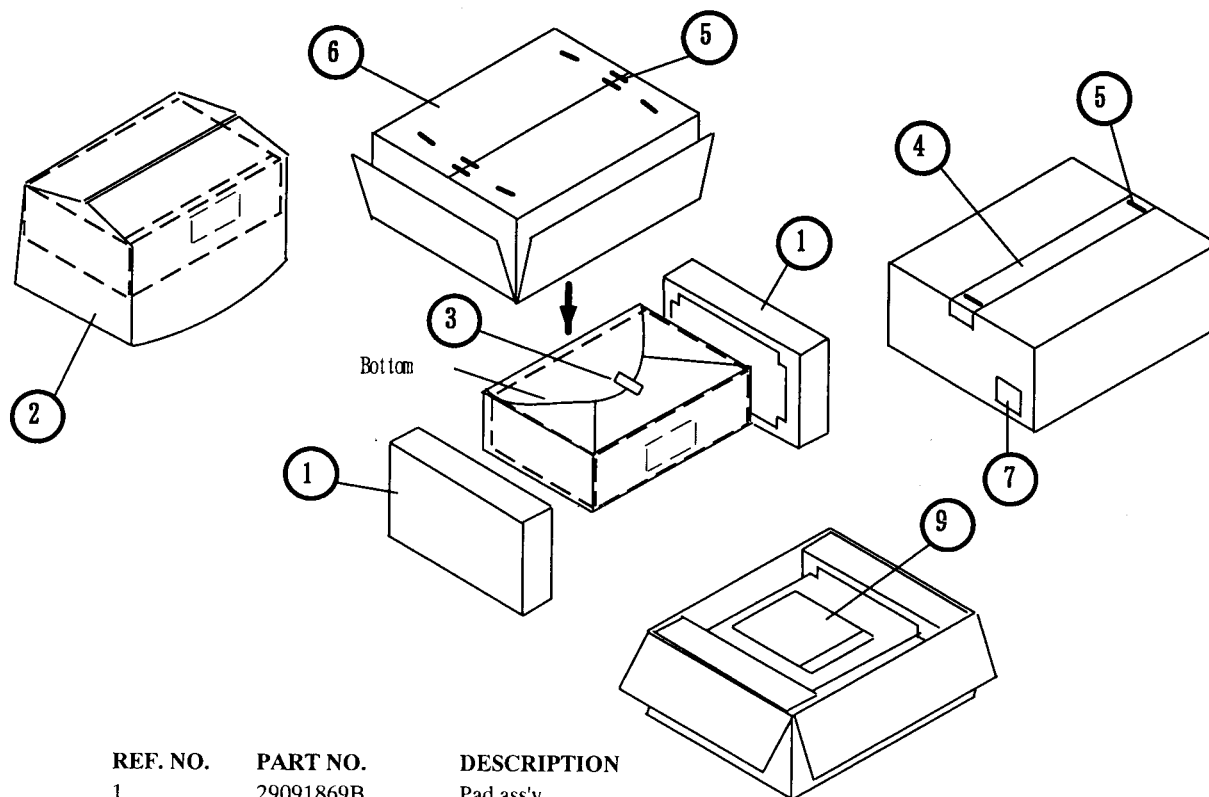
CAUTION: Replacement of the transistor of mark *, if necessary, must be made from the same beta group (HFE) as the original type.

REF. NO.	PART NO.	DESCRIPTION	DESCRIPTION	REF. NO.	PART NO.	DESCRIPTION
Q517, Q518	2212654 or 2212653	2SC3421-Y or 2SC3421-O, Transistor		U11	1A801597-3A	NAVD-6497-3A, Volume circuit PC board assy <D>
T901	2301387	Δ NPT-1360D, Power transformer <D>		U12	1A801597-3B	NAVD-6497-3B, Volume circuit PC board assy <P>
	2301388	Δ NPT-1360P, Power transformer <P/T/A>			1A801597-3C	NAVD-6497-3C, Volume circuit PC board assy <T/A>
	2301389	Δ NPT-1360DG, Power transformer <W>			1A801597-3D	NAVD-6497-3D, Volume circuit PC board assy <W>
U1	1A801587-3A	NADJS-6487-3A, Display circuit PC board assy <D>			1A801598-3A	NAPS-6498-3A, Primary circuit PC board assy <D>
	1A801587-3B	NADJS-6487-3B, Display circuit PC board assy <P>			1A801598-3B	NAPS-6498-3B, Primary circuit PC board assy <P>
	1A801587-3C	NADJS-6487-3C, Display circuit PC board assy <T/A>			1A801598-3C	NAPS-6498-3C, Primary circuit PC board assy <T/A>
	1A801587-3D	NADJS-6487-3D, Display circuit PC board assy <W>			1A801598-3D	NAPS-6498-3D, Primary circuit PC board assy <W>
U2	1A801588-3A	NAAR-6488-3A, Surround switch PC board assy <D>		U13	1A801599-3A	NASW-6499-3A, Power switch PC board assy <D>
	1A801588-3B	NAAR-6488-3B, Surround switch PC board assy <P>			1A801599-3B	NASW-6499-3B, Power switch PC board assy <P>
	1A801588-3C	NAAR-6488-3C, Surround switch PC board assy <T/A>			1A801599-3C	NASW-6499-3C, Power switch PC board assy <T/A>
	1A801588-3D	NAAR-6488-3D, Surround switch PC board assy <W>		U14	1A801599-3D	NASW-6499-3D, Power switch PC board assy <W>
U3	1A801589-3A	NADG-6489-3A, Digital input PC board assy <D>			1A801500-3A	NAAF-6500-3A, Multi-channel terminal PC board assy <D>
	1A801589-3B	NADG-6489-3B, Digital input PC board assy <P>			1A801500-3B	NAAF-6500-3B, Multi-channel terminal PC board assy <P>
	1A801589-3C	NADG-6489-3C, Digital input PC board assy <T/A>			1A801500-3C	NAAF-6500-3C, Multi-channel terminal PC board assy <T/A>
	1A801589-3D	NADG-6489-3D, Digital input PC board assy <W>			1A801500-3D	NAAF-6500-3D, Multi-channel terminal PC board assy <W>
U4	1A801590-3A	NAETC-6490-3A, Headphone terminal PC board assy <D>		U18	1A801504-3A	NAETC-6504-3A, Transformer PC board assy <D>
	1A801590-3B	NAETC-6490-3B, Headphone terminal PC board assy <P>			1A801504-3B	NAETC-6504-3B, Transformer PC board assy <P>
	1A801590-3C	NAETC-6490-3C, Headphone terminal PC board assy <T/A>			1A801504-3C	NAETC-6504-3C, Transformer PC board assy <T/A>
	1A801590-3D	NAETC-6490-3D, Headphone terminal PC board assy <W>		U19	1A801504-3D	NAETC-6504-3D, Transformer PC board assy <W>
U5	1A801591-3A	NAETC-6491-3A, Volume PC board assy <D>			1A801505-3A	NAETC-6505-3A, Secondary PC board assy <D>
	1A801591-3B	NAETC-6491-3B, Volume PC board assy <P>			1A801505-3B	NAETC-6505-3B, Secondary PC board assy <P>
	1A801591-3C	NAETC-6491-3C, Volume PC board assy <T/A>			1A801505-3C	NAETC-6505-3C, Secondary PC board assy <T/A>
	1A801591-3D	NAETC-6491-3D, Volume PC board assy <W>		U21	1A801505-3D	NAETC-6505-3D, Secondary PC board assy <W>
U6	1A801592-3A	NAETC-6492-3A, Tone control circuit PC board assy <D>			1A801507-3A	NAETC-6507-3A, Terminal PC board assy <D>
	1A801592-3B	NAETC-6492-3B, Tone control circuit PC board assy <P>			1A801507-3B	NAETC-6507-3B, Terminal PC board assy <P>
	1A801592-3C	NAETC-6492-3C, Tone control circuit PC board assy <T/A>			1A801507-3C	NAETC-6507-3C, Terminal PC board assy <T/A>
	1A801592-3D	NAETC-6492-3D, Tone control circuit PC board assy <W>		U22	1A801507-3D	NAETC-6507-3D, Terminal PC board assy <W>
U8	1A801594-3A	NAETC-6494-3A, Terminal PC board assy <D>			1A801508-3A	NAETC-6508-3A, Terminal PC board assy <D>
	1A801594-3B	NAETC-6494-3B, Terminal PC board assy <P>			1A801508-3B	NAETC-6508-3B, Terminal PC board assy <P>
	1A801594-3C	NAETC-6494-3C, Terminal PC board assy <A>			1A801508-3C	NAETC-6508-3C, Terminal PC board assy <T/A>
	1A801594-3D	NAETC-6494-3D, Terminal PC board assy <W>		U23	1A801508-3D	NAETC-6508-3D, Terminal PC board assy <W>
U9	1A801595-3A	NAAF-6495-3A, Power amplifier PC board assy <D>			1A801509-3A	NARF-6509-3A, Tuner PC board assy <D>
	1A801595-3B	NAAF-6495-3B, Power amplifier PC board assy <P>			1A801509-3B	NARF-6509-3B, Tuner PC board assy <P>
	1A801595-3C	NAAF-6495-3C, Power amplifier PC board assy <A>			1A801509-3C	NARF-6509-3C, Tuner PC board assy <T/A>
	1A801595-3D	NAAF-6495-3D, Power amplifier PC board assy <W>		U24	1A801509-3D	NARF-6509-3D, Tuner PC board assy <W>
U10	1A801596-3A	NAAF-6496-3A, Front channel power amplifier PC board assy <D>			1A801510-3A	NAAF-6510-3A, Selector circuit PC board assy <D>
	1A801596-3B	NAAF-6496-3B, Front channel power amplifier PC board assy <P>			1A801510-3B	NAAF-6510-3B, Selector circuit PC board assy <P>
	1A801596-3C	NAAF-6496-3C, Front channel power amplifier PC board assy <A>			1A801510-3C	NAAF-6510-3C, Selector circuit PC board assy <T/A>
	1A801596-3D	NAAF-6496-3D, Front channel power amplifier PC board assy <W>		U26	1A801510-3D	NAAF-6510-3D, Selector circuit PC board assy <W>

NOTE: THE COMPONENTS IDENTIFIED BY MARK Δ ARE CRITICAL FOR RISK OF FIRE AND ELECTRIC SHOCK. REPLACE ONLY WITH PART NUMBER SPECIFIED.

PACKING VIEW

MODEL TX-DS474



REF. NO.	PART NO.	DESCRIPTION
1	29091869B	Pad ass'y
2	29100034-1A	850*650, Styrene bag
3	261504	Paper tape
4	29110071	PP tape
5	282301	Staple
6	29053406	Carton box <D>
	29053407	Carton box <P>
	29053408	Carton box <T/W/A>
	29053409	Carton box <G>
	29053412	Carton box <S>
7	29362423	Label UPC board ass'y <D>
	29362426	Label EAN
	29362427	Label EAN <G>
	29362429	Label EAN <S>
9	29100097-1A	350*250, Styrene bag
	29365019B	Warranty card <D>
	29358002K	Service station list <D>
	29342663	Instruction manual E
	29342664	Instruction manual GDSW <P>
	29342665	Instruction manual FSI <P>
	29342666	Instruction manual T <W>
	24140385	RC-385S, Remote controller
	3010054	UM-3, Battery
	232140	NMA-3057, AM loop antenna
	292112	FM antenna
	25055018	CV-K-1, Conversion plug <W>
	25065462	YAE21-0237, Antenna adapter <T/W/A>

NOTE: : Black model only
 <S>: Silver model only
 <G>: Golden model only
 <D>: 120V model only
 <P>: European model only
 <W>: Worldwide model only
 <T>: Asian model only
 <A>: Australian model only